



riverstone®



www.riverstone.it

Index

04	About Us
08	Made in Italy
10	Sustainability
12	Shower trays
56	Shower tray rims
57	Shower tray custom cuts
58	Shower tray accessories
60	Washbasins
129	Washbasin accessories
130	Wall covering panels
134	Technical Section



About us

riverstone®

Riverstone is the commercial brand established in 1999 by Effepimarmi, originally identifying a material composed of natural pebbles embedded in transparent or colored resin, which offered a unique 'riverbed' aesthetic.

Today, the Riverstone brand is associated with Poliflex's new line of shower trays and washbasins—a collection that blends natural design with high-level technical performance, making it a distinctive and functional choice for modern, refined environments.



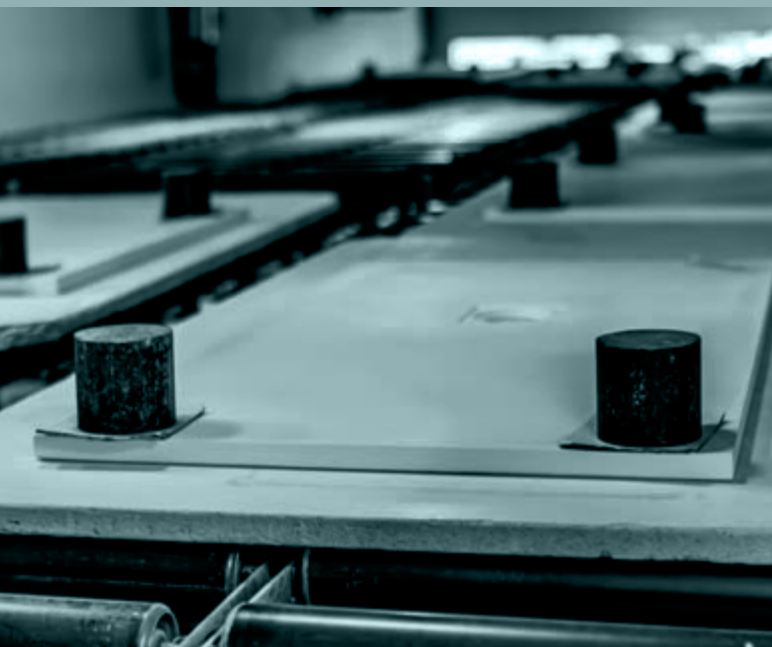
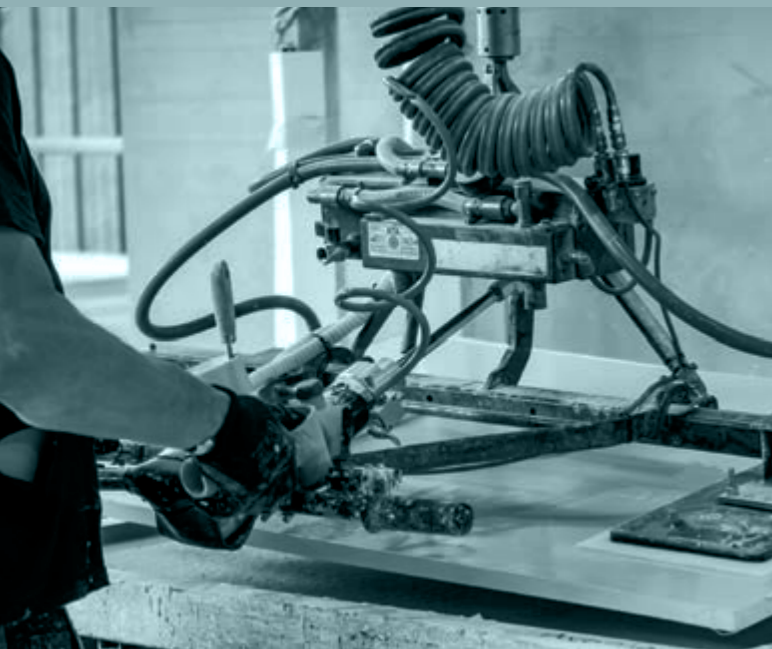
Our production and administrative headquarters are located in Casciana Terme (Pisa), where we manage the entire production cycle in-house: from design and engineering to finishing and logistics.

The range includes shower trays in various textures, formats, and colors—including bespoke sizes and custom RAL/NCS finishes—alongside washbasins available in a wide array of types and styles.

Thanks to a lean organization and flexible production, we guarantee reliable

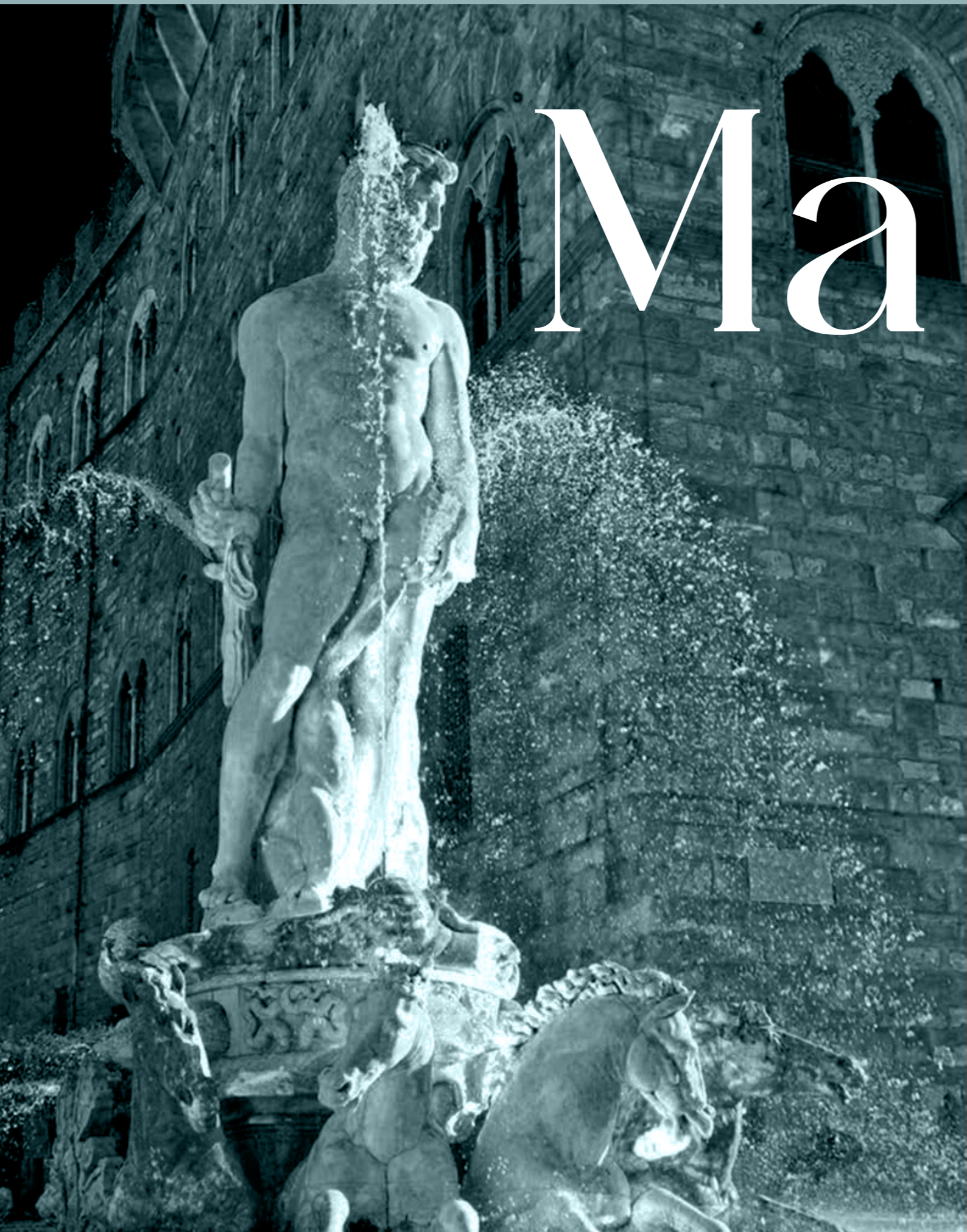
delivery times, with an annual output of over 100,000 shower trays and 20,000 washbasins. This dependable service makes us the ideal partner for professionals and companies in the bathroom furnishing sector.

With a team of approximately 80 employees and a 9,000 sqm production facility, Poliflex combines craftsmanship and innovation, offering solutions born from a careful selection of materials and constant technical and aesthetic research.



Poliflex Srl is an Italian company specializing in the production of bathroom furnishing components made from composite materials. For over thirty years, we have operated with passion and expertise in the industry, offering bespoke solutions and products designed to meet the highest standards of functionality, design, and long-term durability.





Ma

de

in

Italy

The Riverstone collection is much more than a range of washbasins and shower trays: it is a philosophy that sets space free. It is a new solution that allows you to create a bathroom tailored specifically to your needs.

Design, dimensions, colors, and textures: a wide array of options providing endless customization to adapt and develop versatile spatial solutions. Creative spaces where you can find the best fit and maximize every

inch, seamlessly integrating shower trays, washbasins, and wall cladding panels. A comprehensive range of products adaptable to any bathroom solution.

Sustainability

Riverstone designs and manufactures its products using an innovative combination of mineral-filled resins—a technical choice that ensures high mechanical and functional performance materials.

70%
Pure calcium carbonate

30%
Unsaturated polyester resin

100%
High-quality materials

This carefully balanced mix represents the technological heart of Riverstone's production, enabling the creation of compact, solid, yet flexible surfaces—perfect for withstanding daily wear and tear over time.

The final product is further enhanced by the application of a premium-grade Gelcoat coating. This finish serves a dual purpose: on one hand, it increases resistance to impacts, scratches, and chemical agents; on the other, it elevates the overall aesthetic, giving

the surface a brilliant luster and a pleasant, refined tactile feel.

The result of this process is a final product that stands out for its durability, resilience, and beauty. Every Riverstone-branded element is born from advanced technical know-how, continuous material research, and a vision oriented toward excellence—ensuring reliable, high-performance solutions tailored to the needs of the contemporary bathroom.



Shower trays

- 14 Danubio
- 20 Tamigi
- 26 Senna
- 32 Arno
- 36 Tevere cemento
- 44 Tevere soft
- 50 Reno
- 56 Edge
- 57 Custom cuts
- 58 Accessories

Danubio

TEXTURE



ARDESIA

STANDARD COLOURS



ANTRACITE
RAL 7043



URBAN
RAL 7006



TORTORA
RAL 1019



SABBIA
RAL 1013



GRIGIO
RAL 7047



BIANCO
RAL 9003

CUSTOM COLOURS



RAL / NCS



Danubio

Anti-slip surface with ARDESIA texture.
Small side drain with resin cover.
Special rectangular waste.
Available in various sizes.

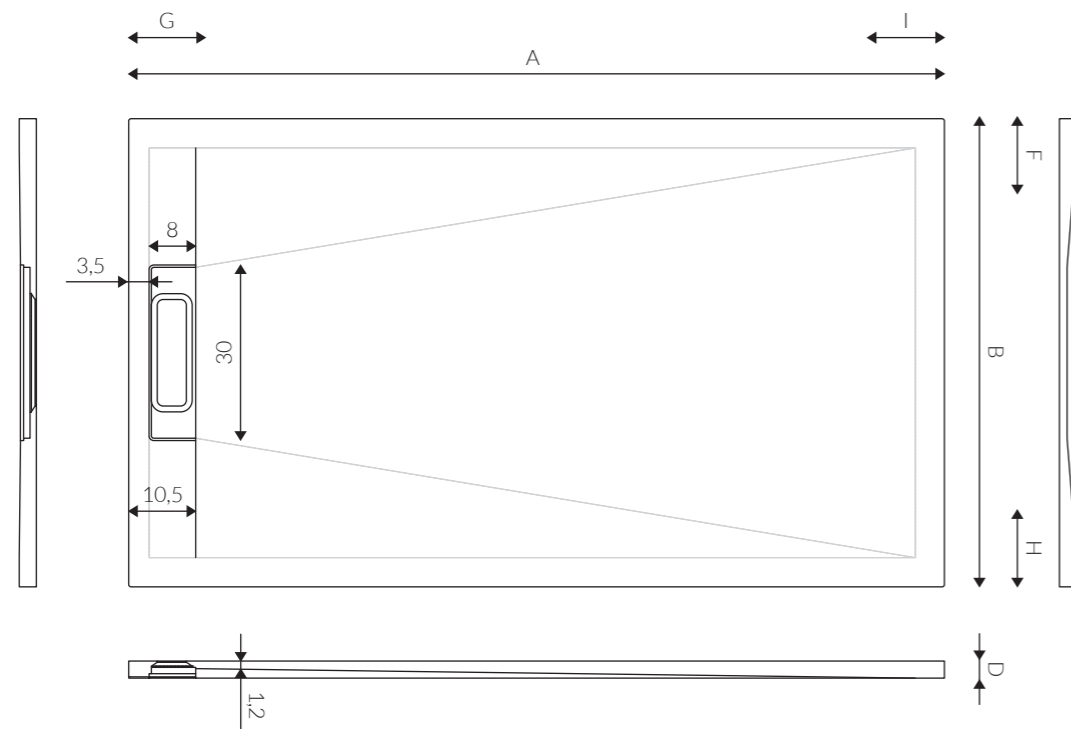
STANDARD MEASURES

70 x	80 x	90 x
100	100	100
120	120	120
140	140	140
150	150	150
160	160	160
170	170	170
180	180	180
200	200	160



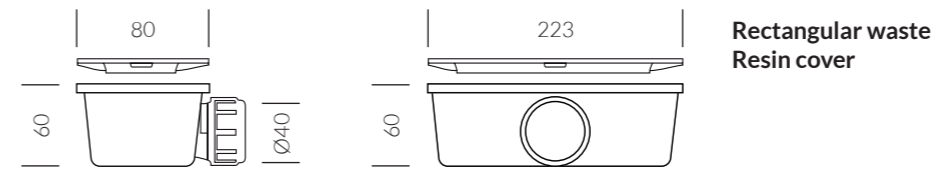
Danubio Technical Section

Dimensions (cm)



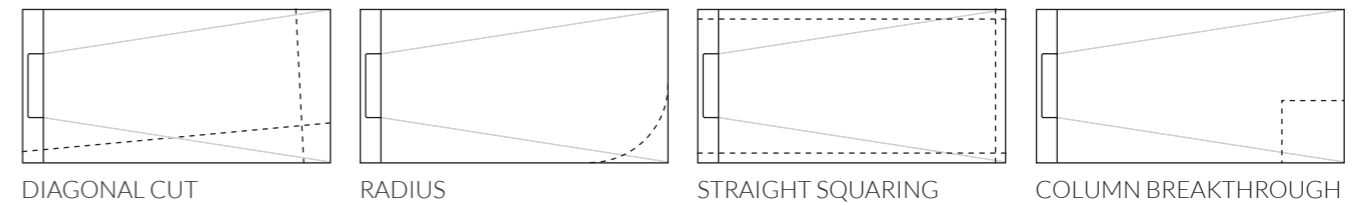
B 70						B 80						B 90					
A	D	G	I	F	H	A	D	G	I	F	H	A	D	G	I	F	H
100	2,5	0	10	0	0	100	2,5	0	10	0	0	100	2,5	0	0	0	0
120	2,5	0	20	0	0	120	2,5	0	20	0	0	120	2,5	0	0	0	0
140	2,7	0	20	0	0	140	2,7	0	20	0	0	140	2,7	0	10	0	0
150	2,9	0	10	0	0	150	2,9	0	10	0	0	150	2,9	0	10	0	0
160	2,9	0	20	0	0	160	2,9	0	20	0	0	160	2,9	0	20	0	0
170	2,9	0	10	0	0	170	2,9	0	10	0	0	-	-	-	-	-	-
180	3,0	0	20	0	0	180	3,0	0	20	0	0	-	-	-	-	-	-
200	3,0	0	20	0	0	200	3,0	0	20	0	0	-	-	-	-	-	-

Waste



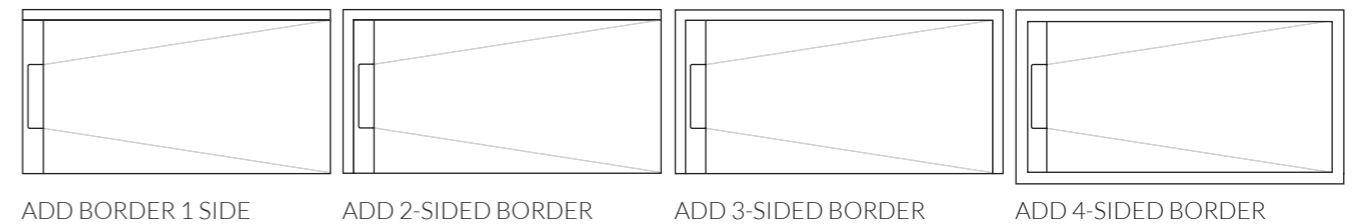
The waste must always be positioned against the wall.

Custom cuts



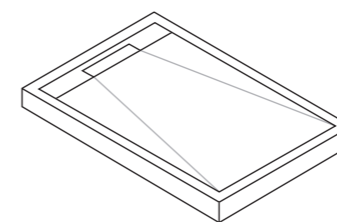
Edge

Edge thickness 4 cm



Plinths

Thickness custom



Anti-slip class

Regulations DIN 51097: A+B+C

Notes

Images are for illustrative purposes only and do not constitute a contractual obligation. When installing a walk-in shower enclosure with at least one open side, we recommend adding a rim to limit water splashes. Further information is available in the "Edge" section.

Tamigi

TEXTURE



ARDESIA

STANDARD COLOURS



ANTRACITE
RAL 7043



URBAN
RAL 7006



TORTORA
RAL 1019



SABBIA
RAL 1013



GRIGIO
RAL 7047



BIANCO
RAL 9003

CUSTOM COLOURS




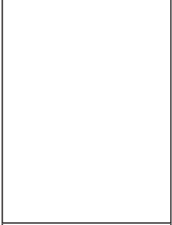

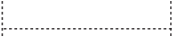

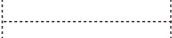
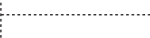
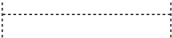
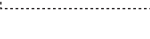
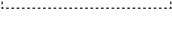
RAL / NCS



Tamigi

Anti-slip surface with ARDESIA texture.
Small side drain with resin cover.
Special rectangular waste.
Available in various sizes.

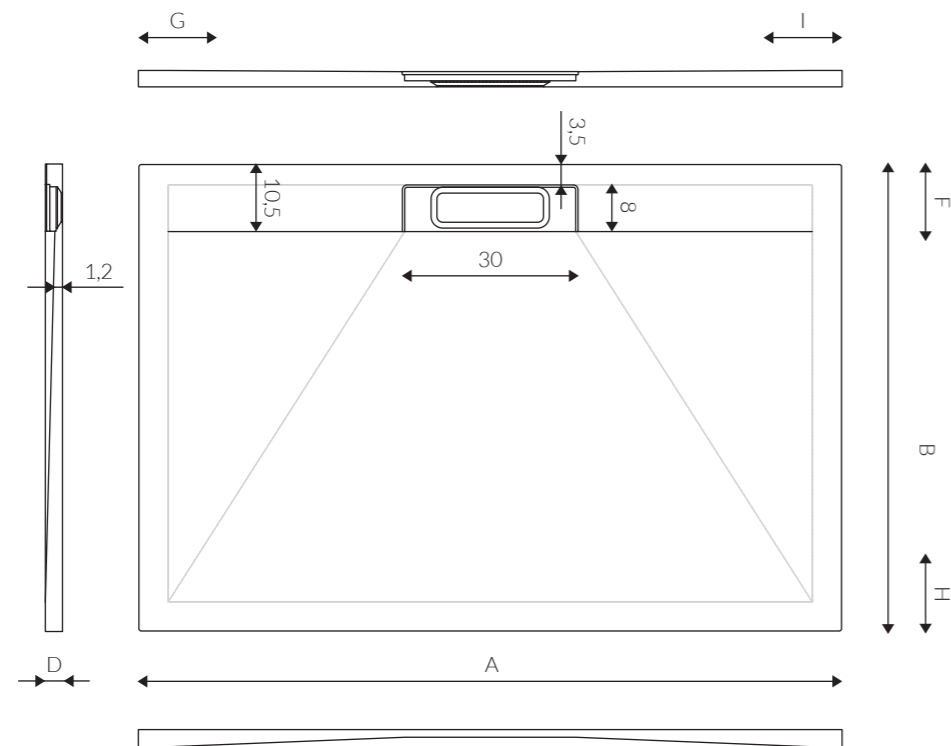
STANDARD MEASURES

80 x		90 x	
	120		120
	140		140
	160		160
	180		180
	200		200



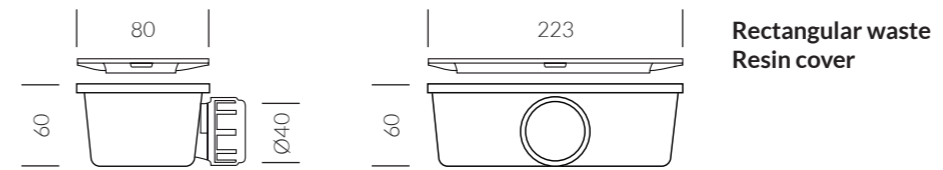
Tamigi Technical Section

Dimensions (cm)



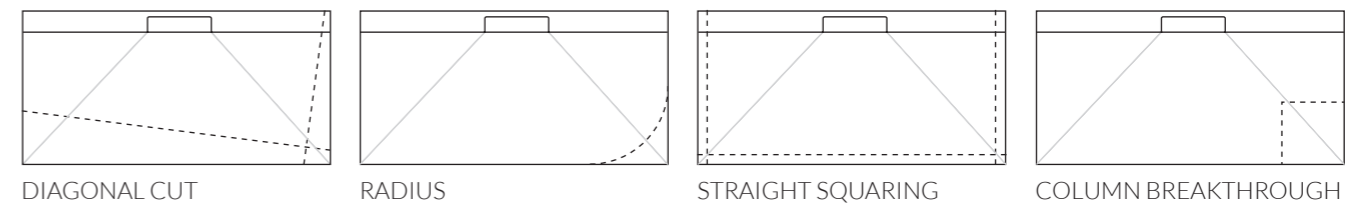
B 80						B 90					
A	D	G	I	F	H	A	D	G	I	F	H
120	2,5	5	5	0	5	120	2,5	5	5	0	5
140	2,7	5	5	0	5	140	2,7	5	5	0	5
160	2,9	5	5	0	5	160	2,9	5	5	0	5
180	3,0	5	5	0	5	180	3,0	5	5	0	5
200	3,0	5	5	0	5	200	3,0	5	5	0	5

Waste (mm)



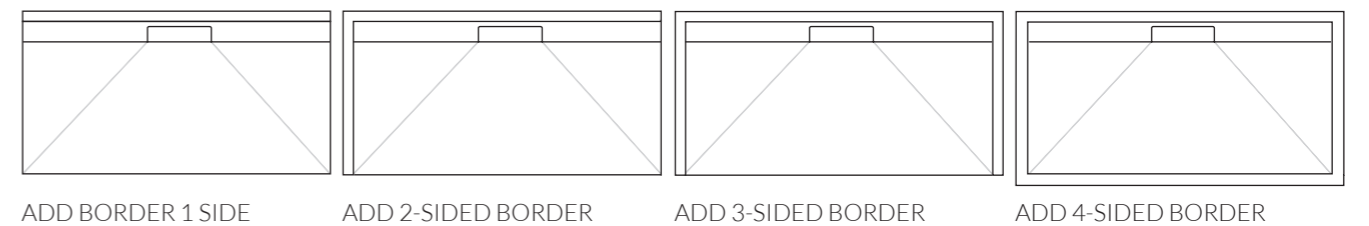
The waste must always be positioned against the wall.

Custom cuts



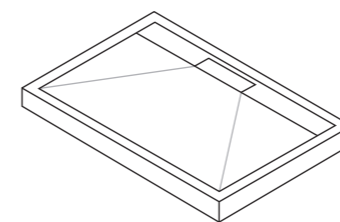
Edge

Edge thickness 4 cm



Plinths

Thickness custom



Anti-slip class

Regulations DIN 51097: A+B+C

Notes

Images are for illustrative purposes only and do not constitute a contractual obligation. When installing a walk-in shower enclosure with at least one open side, we recommend adding a rim to limit water splashes. Further information is available in the "Edge" section.

Senna

TEXTURE



PIETRA

STANDARD COLOURS



ANTRACITE
RAL 7043



URBAN
RAL 7006



TORTORA
RAL 1019



SABBIA
RAL 1013



GRIGIO
RAL 7047



BIANCO
RAL 9003

CUSTOM COLOURS



RAL / NCS

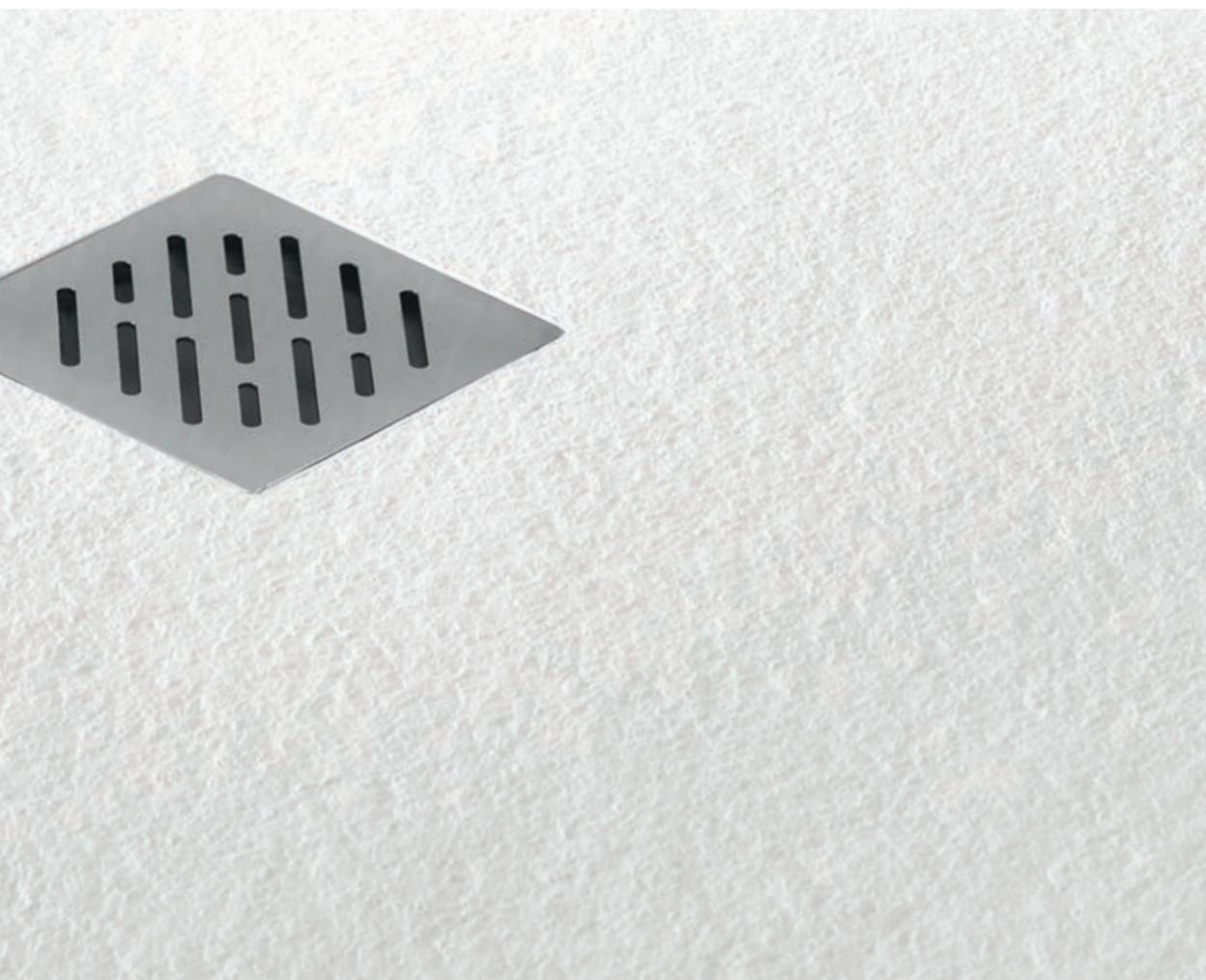


Senna

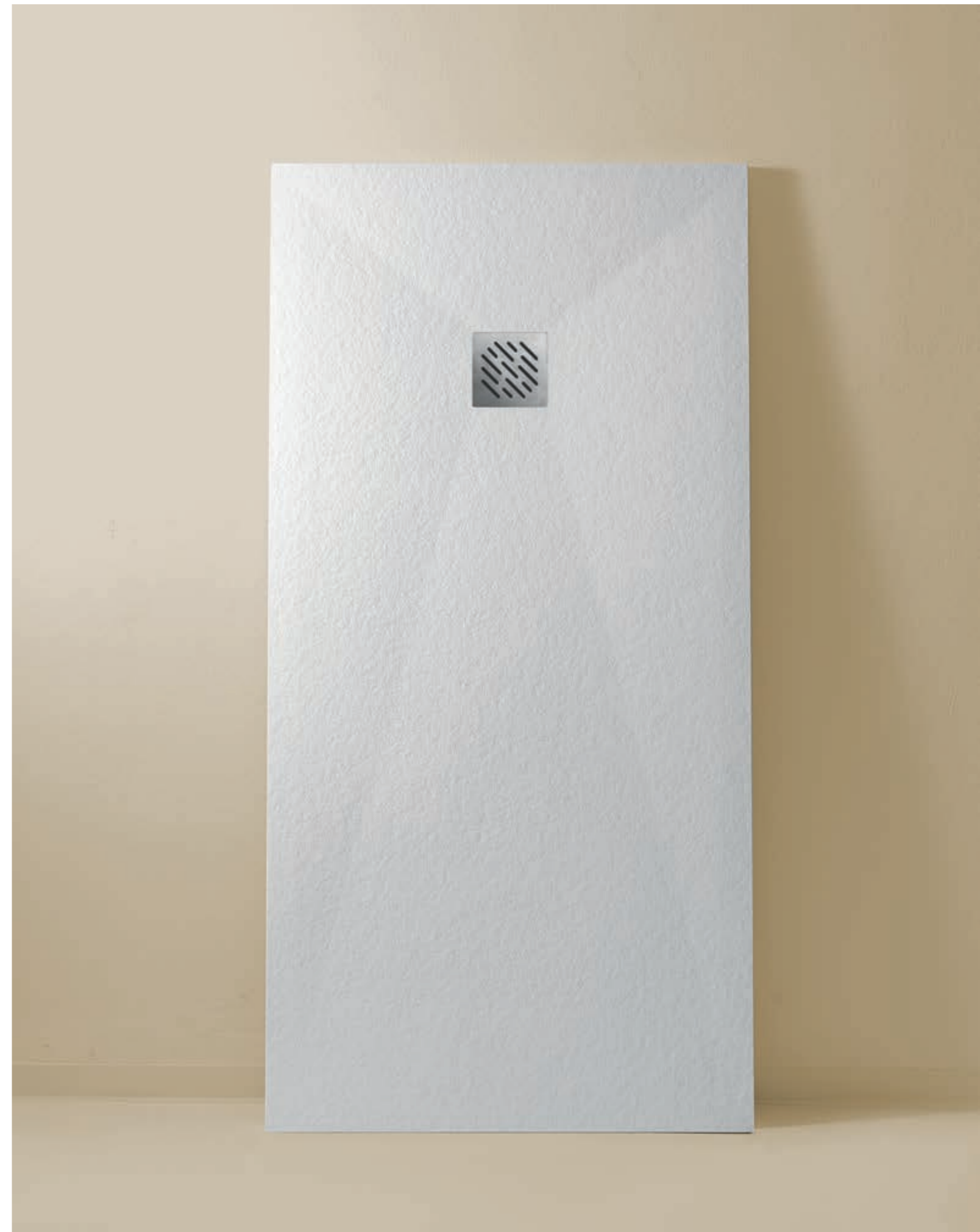
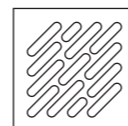
Anti-slip surface with PIETRA texture.
 Offset drain position.
 Standard 9 cm diameter waste.
 Available in an extensive range of sizes to ensure maximum adaptability.
 Can be cut on all 4 sides.

STANDARD MEASURES

70 x	80 x	90 x	100 x
80	80	90	100
90	90	100	110
100	100	110	120
110	110	120	130
120	120	130	140
130	130	140	150
140	140	150	160
150	150	160	170
160	160	170	180
170	170	180	190
180	180	190	200
190	190	200	
200	200		

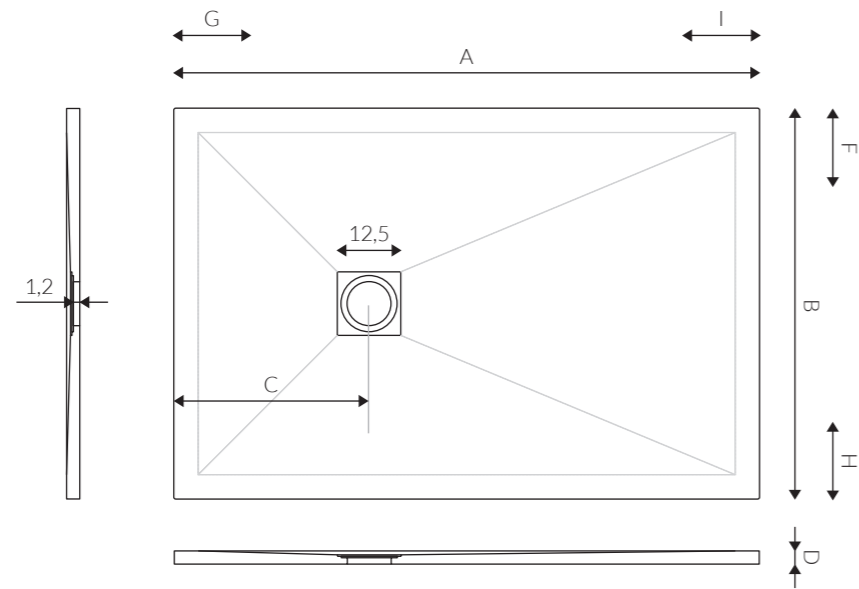


**WASTE
COVER**



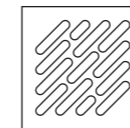
Senna Technical Section

Dimensions (cm)



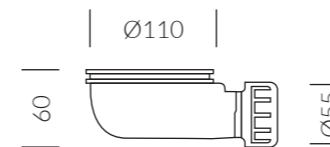
B 70							B 80						
A	C	D	G	I	F	H	A	C	D	G	I	F	H
80	35	2,7	5	10	5	5	80	40	2,7	5	10	5	5
90	35	2,7	5	10	5	5	90	35	2,7	5	10	5	5
100	35	2,7	5	10	5	5	100	35	2,7	5	10	5	5
110	35	2,7	5	10	5	5	110	35	2,7	5	10	5	5
120	35	2,7	5	10	5	5	120	35	2,7	5	10	5	5
130	35	2,7	5	10	5	5	130	35	2,7	5	10	5	5
140	35	2,7	5	10	5	5	140	35	2,7	5	10	5	5
150	35	2,7	5	10	5	5	150	35	2,7	5	10	5	5
160	35	2,7	5	10	5	5	160	35	2,7	5	10	5	5
170	50	2,7	5	10	5	5	170	50	2,7	5	10	5	5
180	50	2,7	5	10	5	5	180	50	2,7	5	10	5	5
190	50	2,7	5	10	5	5	190	50	2,7	5	10	5	5
200	50	3,2	5	10	5	5	200	50	3,2	5	10	5	5
B 90							B 100						
A	C	D	G	I	F	H	A	C	D	G	I	F	H
90	45	2,7	5	10	5	5	-	-	-	-	-	-	-
100	35	2,7	5	10	5	5	100	35	2,7	5	10	5	5
110	35	2,7	5	10	5	5	-	-	-	-	-	-	-
120	35	2,7	5	10	5	5	120	35	2,7	5	20	5	5
130	35	2,7	5	10	5	5	-	-	-	-	-	-	-
140	35	2,7	5	10	5	5	140	35	2,7	5	20	5	5
150	35	2,7	5	10	5	5	150	50	2,7	5	10	5	5
160	35	2,7	5	10	5	5	160	50	2,7	5	10	5	5
170	50	2,7	5	10	5	5	-	-	-	-	-	-	-
180	50	2,7	5	10	5	5	180	50	2,7	5	20	5	5
190	50	2,7	5	10	5	5	-	-	-	-	-	-	-
200	50	2,7	5	10	5	5	200	50	2,7	5	20	5	5

Waste cover



Measure	INOX	STANDARD	RAL / NCS
12,5 x 12,5 cm	✓	✓	✓

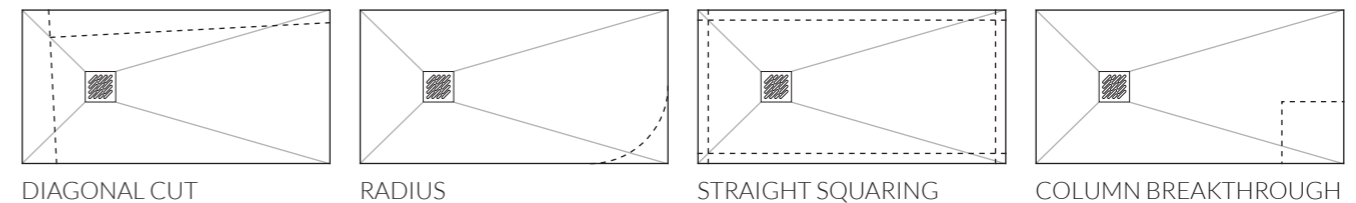
Waste (mm)



Standard waste

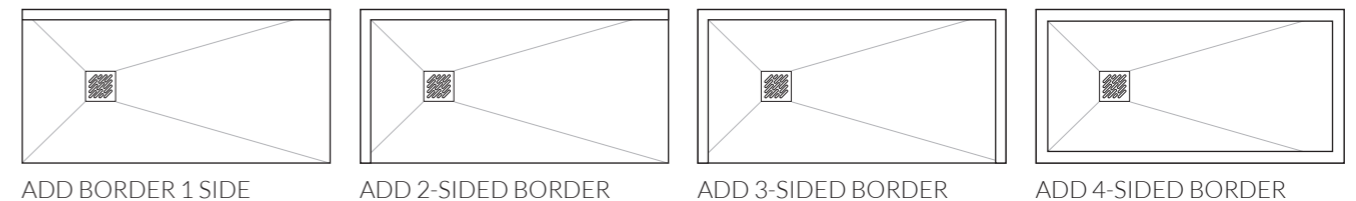
The waste must always be positioned against the wall.

Custom cuts



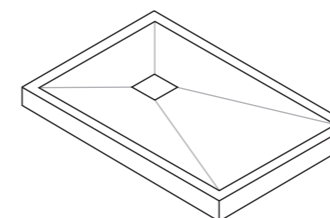
Edge

Edge thickness 4 cm



Plinths

Thickness custom



Anti-slip class

Regulations DIN 51097: A+B+C

Notes

Images are for illustrative purposes only and do not constitute a contractual obligation. When installing a walk-in shower enclosure with at least one open side, we recommend adding a rim to limit water splashes. Further information is available in the "Edge" section.

Arno

TEXTURE



DOLOMITE

STANDARD COLOURS



ANTRACITE
RAL 7043



URBAN
RAL 7006



TORTORA
RAL 1019



SABBIA
RAL 1013



GRIGIO
RAL 7047



BIANCO
RAL 9003

CUSTOM COLOURS



RAL / NCS

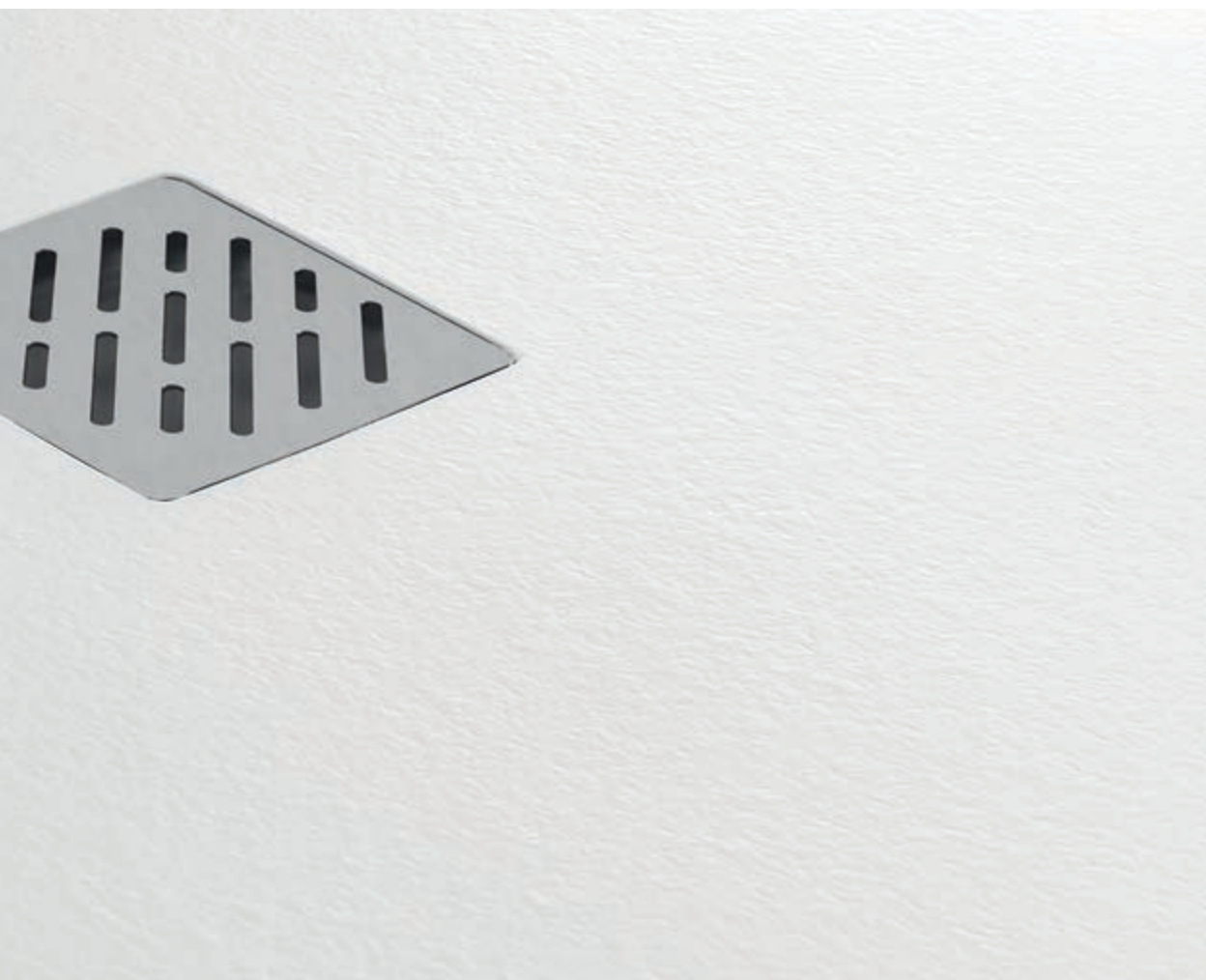


Arno

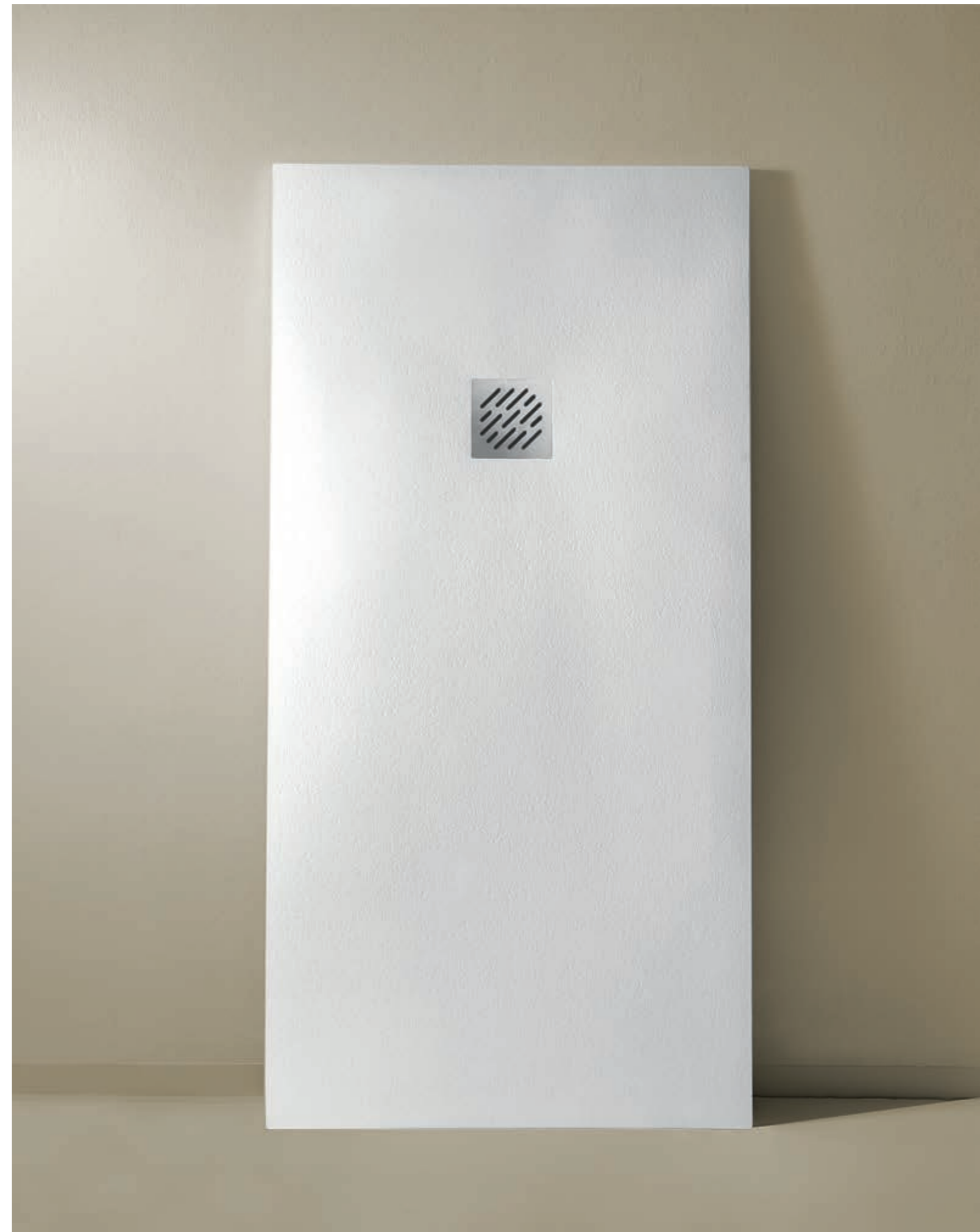
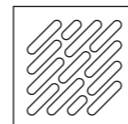
Anti-slip surface with DOLOMITE texture.
 Offset drain position.
 Standard 9 cm diameter waste.
 Available in an extensive range of sizes to ensure maximum adaptability.
 Can be cut on all 4 sides.

STANDARD MEASURES

70 x	80 x	90 x	100 x
80	80	90	100
90	90	100	110
100	100	110	120
110	110	120	130
120	120	130	140
130	130	140	150
140	140	150	160
150	150	160	170
160	160	170	180
170	170	180	190
180	180	190	200
190	190	200	
200	200		

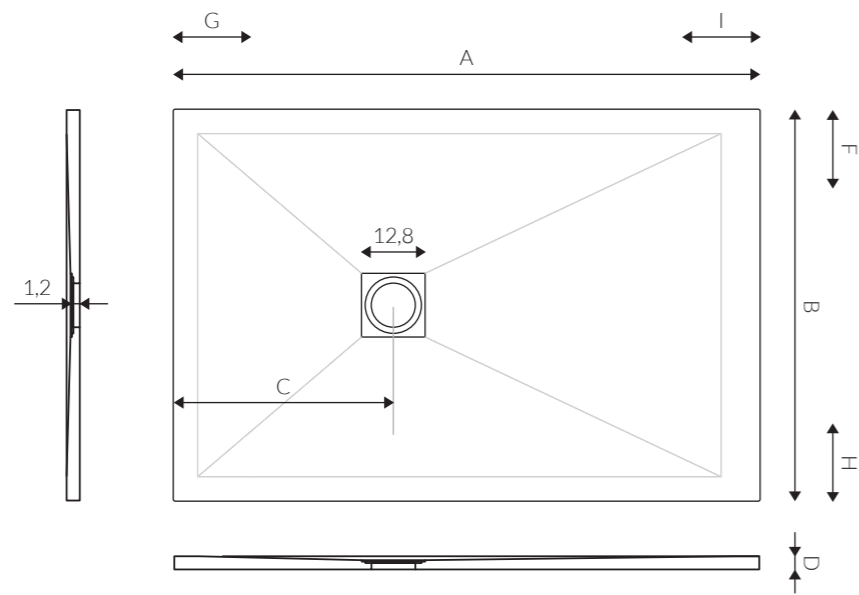


WASTE
COVER



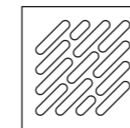
Arno Technical Section

Dimensions (cm)



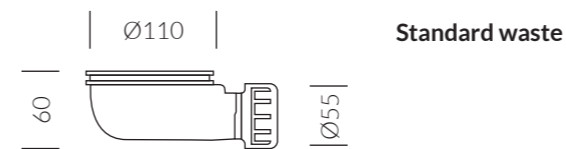
B 70							B 80						
A	C	D	G	I	F	H	A	C	D	G	I	F	H
80	35	2,5	5	10	5	5	80	35	2,5	5	10	5	5
90	35	2,5	5	10	5	5	90	35	2,5	5	10	5	5
100	35	2,5	5	10	5	5	100	35	2,5	5	10	5	5
110	40	2,5	5	10	5	5	110	40	2,5	5	10	5	5
120	40	2,5	5	10	5	5	120	40	2,5	5	10	5	5
130	35	2,7	5	10	5	5	130	35	2,7	5	10	5	5
140	35	2,7	5	10	5	5	140	35	2,7	5	10	5	5
150	35	2,7	5	10	5	5	150	35	2,7	5	10	5	5
160	35	3,0	5	10	5	5	160	35	3,0	5	10	5	5
170	50	3,0	5	10	5	5	170	50	3,0	5	10	5	5
180	50	3,0	5	10	5	5	180	50	3,0	5	10	5	5
190	50	3,2	5	10	5	5	190	50	3,2	5	10	5	5
200	50	3,2	5	10	5	5	200	50	3,2	5	10	5	5
B 90							B 100						
A	C	D	G	I	F	H	A	C	D	G	I	F	H
90	35	2,5	5	10	5	5	-	-	-	-	-	-	-
100	35	2,5	5	10	5	5	100	35	2,5	5	10	5	5
110	40	2,5	5	10	5	5	-	-	-	-	-	-	-
120	40	2,5	5	10	5	5	120	40	2,5	5	20	5	5
130	35	2,7	5	10	5	5	-	-	-	-	-	-	-
140	35	2,7	5	10	5	5	140	35	2,7	5	20	5	5
150	35	2,7	5	10	5	5	150	50	2,9	5	10	5	5
160	35	3,0	5	10	5	5	160	50	2,9	5	10	5	5
170	50	3,0	5	10	5	5	-	-	-	-	-	-	-
180	45	3,0	5	10	5	5	180	50	3,0	5	20	5	5
190	50	3,2	5	10	5	5	-	-	-	-	-	-	-
200	50	3,2	5	10	5	5	200	50	3,0	5	20	5	5

Waste cover

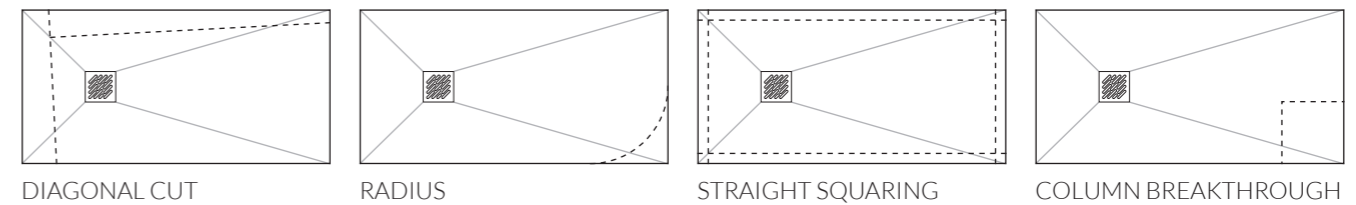


Measure	INOX	STANDARD	RAL / NCS
12,8x12,8 cm	✓	✓	✓

Waste (mm)

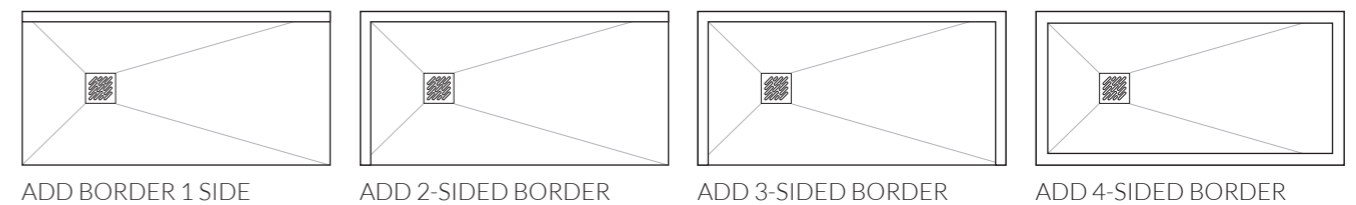


Custom cuts



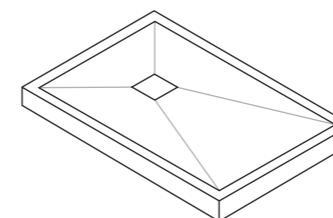
Edge

Edge thickness 4 cm



Plinths

Thickness custom



Anti-slip class

Regulations DIN 51097: A+B

Notes

Images are for illustrative purposes only and do not constitute a contractual obligation. When installing a walk-in shower enclosure with at least one open side, we recommend adding a rim to limit water splashes. Further information is available in the "Edge" section.

Tevere cemento

TEXTURE



CEMENTO

STANDARD COLOURS



ANTRACITE
RAL 7043



URBAN
RAL 7006



TORTORA
RAL 1019



SABBIA
RAL 1013



GRIGIO
RAL 7047



BIANCO
RAL 9003

CUSTOM COLOURS



RAL / NCS



Tevere cemento

Anti-slip surface with CEMENTO texture (matte finish).

Centered drain position.

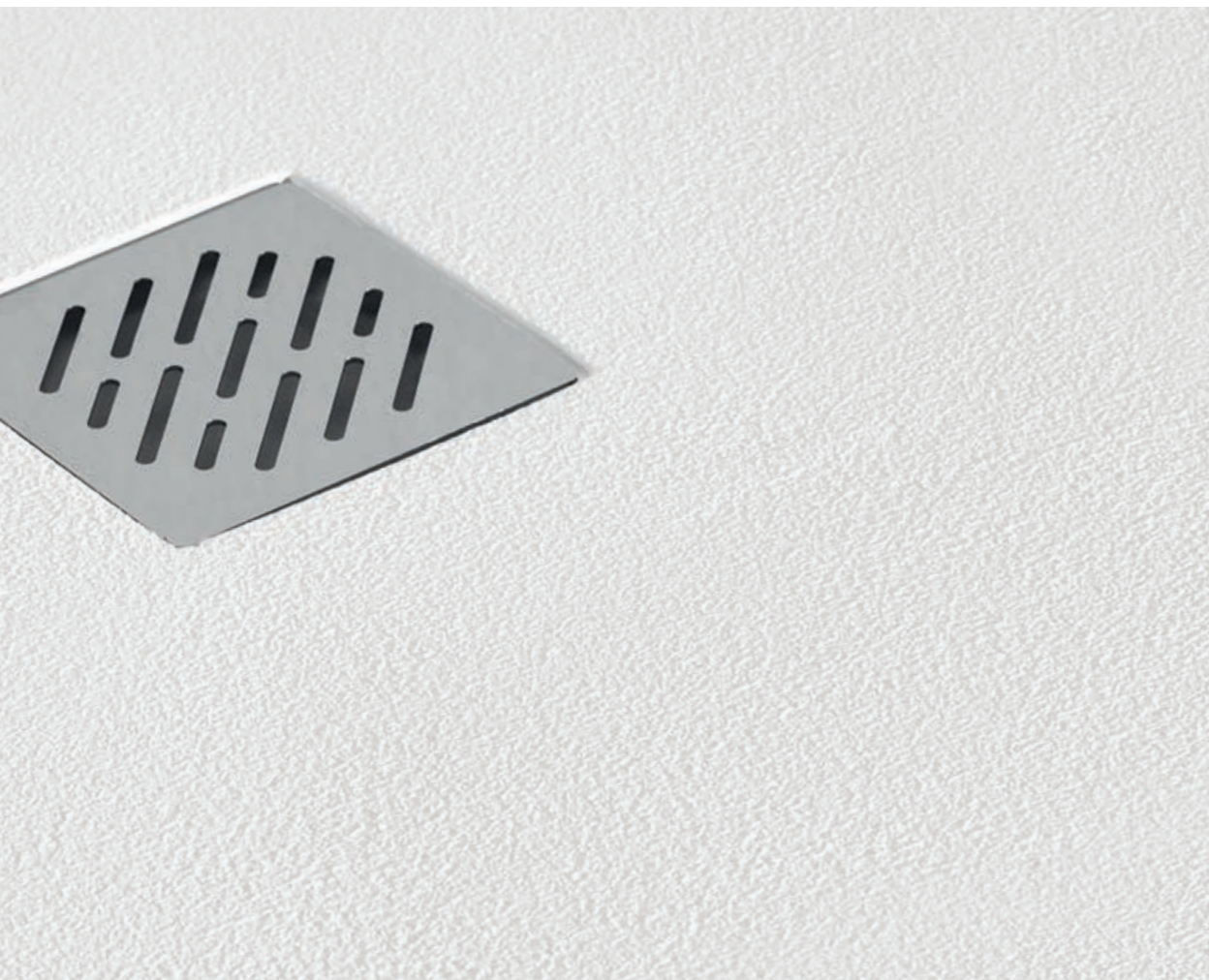
Standard 9 cm diameter waste.

Available in an extensive range of sizes to ensure maximum adaptability.

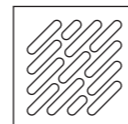
Can be cut on all 4 sides.

STANDARD MEASURES

70 x	80 x	90 x	100 x
80	80	90	100
90	90	100	110
100	100	110	120
110	110	120	130
120	120	130	140
130	130	140	150
140	140	150	160
150	150	160	170
160	160	170	180
170	170	180	190
180	180	190	200
190	190	200	
200	200		

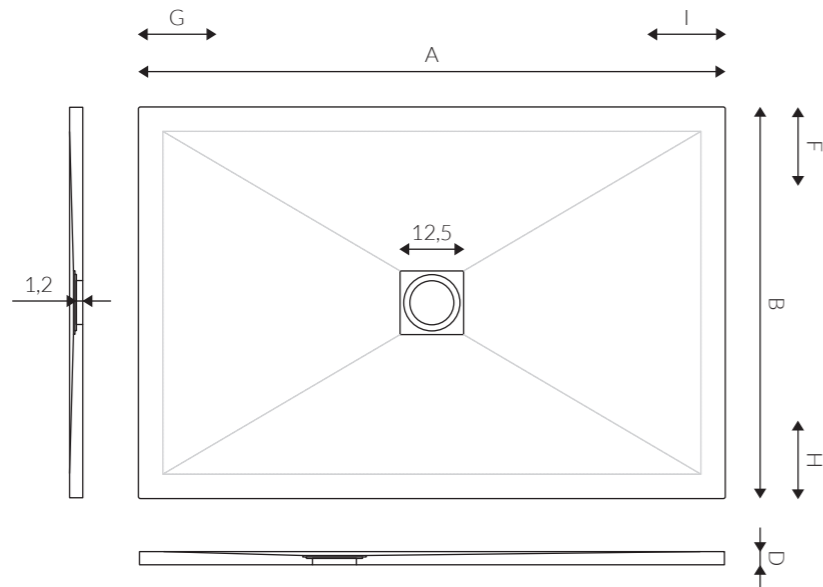


**WASTE
COVER**



Tevere Cemento Technical Section

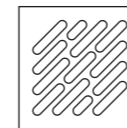
Dimensions (cm)



B 70						B 80					
A	D	G	I	F	H	A	D	G	I	F	H
80	2,5	5	5	3	3	80	2,5	5	5	4,5	4,5
90	2,5	5	5	3	3	90	2,5	5	5	4,5	4,5
100	2,5	5	5	3	3	100	2,5	5	5	4,5	4,5
110	2,5	5	5	3	3	110	2,5	5	5	4,5	4,5
120	2,5	5	5	3	3	120	2,5	5	5	4,5	4,5
130	2,7	5	5	3	3	130	2,7	5	5	4,5	4,5
140	2,7	5	5	3	3	140	2,7	5	5	4,5	4,5
150	2,7	5	5	3	3	150	2,7	5	5	4,5	4,5
160	3,0	5	5	3	3	160	3,0	5	5	4,5	4,5
170	3,0	5	5	3	3	170	3,0	5	5	4,5	4,5
180	3,0	5	5	3	3	180	3,0	5	5	4,5	4,5
190	3,2	5	5	3	3	190	3,2	5	5	4,5	4,5
200	3,2	5	5	3	3	200	3,2	5	5	4,5	4,5

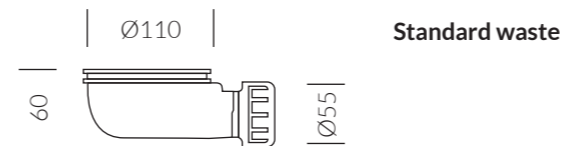
B 90						B 100					
A	D	G	I	F	H	A	D	G	I	F	H
90	2,5	5	5	4,5	4,5	-	-	5	5	4,5	4,5
100	2,5	5	5	4,5	4,5	100	2,5	5	5	4,5	4,5
110	2,5	5	5	4,5	4,5	-	-	5	5	4,5	4,5
120	2,5	5	5	4,5	4,5	120	2,5	5	5	4,5	4,5
130	2,7	5	5	4,5	4,5	-	-	5	5	4,5	4,5
140	2,7	5	5	4,5	4,5	140	2,7	5	5	4,5	4,5
150	2,7	5	5	4,5	4,5	150	2,9	5	5	4,5	4,5
160	3,0	5	5	4,5	4,5	160	2,9	5	5	4,5	4,5
170	3,0	5	5	4,5	4,5	-	-	5	5	4,5	4,5
180	3,0	5	5	4,5	4,5	180	3,0	5	5	4,5	4,5
190	3,2	5	5	4,5	4,5	-	-	5	5	4,5	4,5
200	3,2	5	5	4,5	4,5	200	3,2	5	5	4,5	4,5

Waste cover

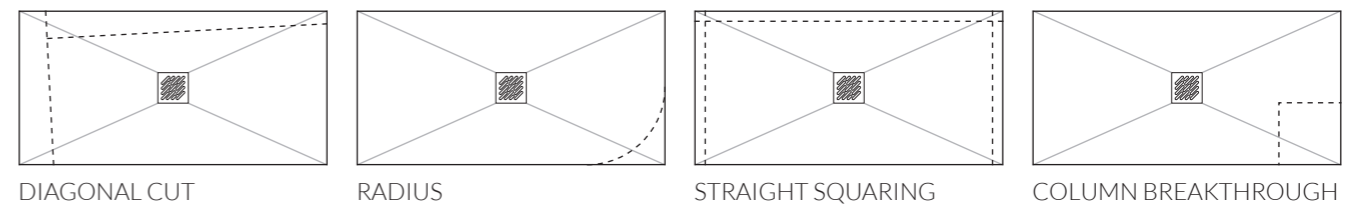


Measure	INOX	STANDARD	RAL / NCS
12,5 x 12,5 cm	✓	✓	✓

Waste (mm)

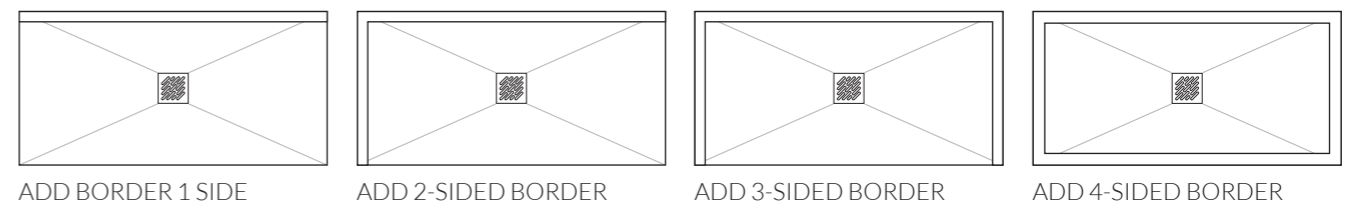


Custom cuts



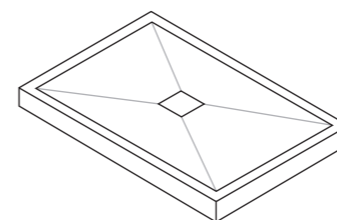
Edge

Edge thickness 4 cm



Plinths

Thickness custom



Anti-slip class

Regulations DIN 51097: A+B

Notes

Images are for illustrative purposes only and do not constitute a contractual obligation. When installing a walk-in shower enclosure with at least one open side, we recommend adding a rim to limit water splashes. Further information is available in the "Edge" section.

Tevere soft

TEXTURE



SOFT (matte finish)

STANDARD COLOURS



ANTRACITE
RAL 7043



URBAN
RAL 7006



TORTORA
RAL 1019



SABBIA
RAL 1013



GRIGIO
RAL 7047



BIANCO
RAL 9003

CUSTOM COLOURS



RAL / NCS



Tevere soft

Anti-slip surface with SOFT texture (matte finish).

Centered drain position.

Standard 9 cm diameter waste.

Available in an extensive range of sizes to ensure maximum adaptability.

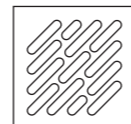
Can be cut on all 4 sides.

STANDARD MEASURES

70 x	80 x	90 x	100 x
80	80	90	100
90	90	100	110
100	100	110	120
110	110	120	130
120	120	130	140
130	130	140	150
140	140	150	160
150	150	160	170
160	160	170	180
170	170	180	190
180	180	190	200
190	190	200	
200	200		

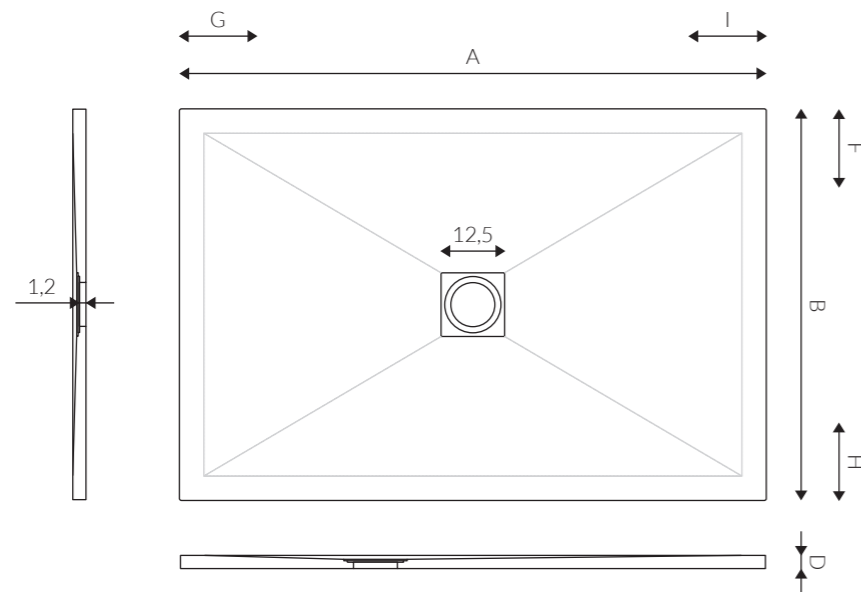


WASTE
COVER



Tevere Soft Technical Section

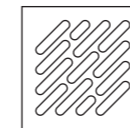
Dimensions (cm)



B 70						B 80					
A	D	G	I	F	H	A	D	G	I	F	H
80	2,5	5	5	3	3	80	2,5	5	5	4,5	4,5
90	2,5	5	5	3	3	90	2,5	5	5	4,5	4,5
100	2,5	5	5	3	3	100	2,5	5	5	4,5	4,5
110	2,5	5	5	3	3	110	2,5	5	5	4,5	4,5
120	2,5	5	5	3	3	120	2,5	5	5	4,5	4,5
130	2,7	5	5	3	3	130	2,7	5	5	4,5	4,5
140	2,7	5	5	3	3	140	2,7	5	5	4,5	4,5
150	2,7	5	5	3	3	150	2,7	5	5	4,5	4,5
160	3,0	5	5	3	3	160	3,0	5	5	4,5	4,5
170	3,0	5	5	3	3	170	3,0	5	5	4,5	4,5
180	3,0	5	5	3	3	180	3,0	5	5	4,5	4,5
190	3,2	5	5	3	3	190	3,2	5	5	4,5	4,5
200	3,2	5	5	3	3	200	3,2	5	5	4,5	4,5

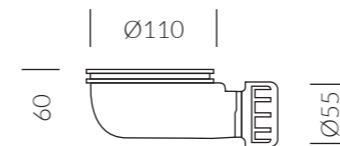
B 90						B 100					
A	D	G	I	F	H	A	D	G	I	F	H
90	2,5	5	5	4,5	4,5	-	-	5	5	4,5	4,5
100	2,5	5	5	4,5	4,5	100	2,5	5	5	4,5	4,5
110	2,5	5	5	4,5	4,5	-	-	5	5	4,5	4,5
120	2,5	5	5	4,5	4,5	120	2,5	5	5	4,5	4,5
130	2,7	5	5	4,5	4,5	-	-	5	5	4,5	4,5
140	2,7	5	5	4,5	4,5	140	2,7	5	5	4,5	4,5
150	2,7	5	5	4,5	4,5	150	2,9	5	5	4,5	4,5
160	3,0	5	5	4,5	4,5	160	2,9	5	5	4,5	4,5
170	3,0	5	5	4,5	4,5	-	-	5	5	4,5	4,5
180	3,0	5	5	4,5	4,5	180	3,0	5	5	4,5	4,5
190	3,2	5	5	4,5	4,5	-	-	5	5	4,5	4,5
200	3,2	5	5	4,5	4,5	200	3,2	5	5	4,5	4,5

Waste cover



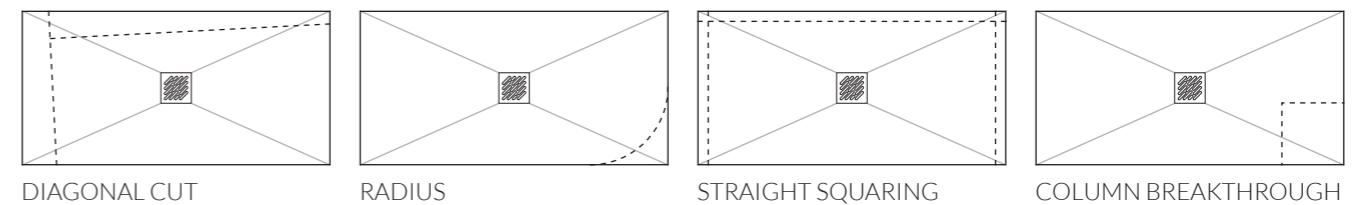
Measure	INOX	STANDARD	RAL / NCS
12,5 x 12,5 cm	✓	✓	✓

Waste (mm)



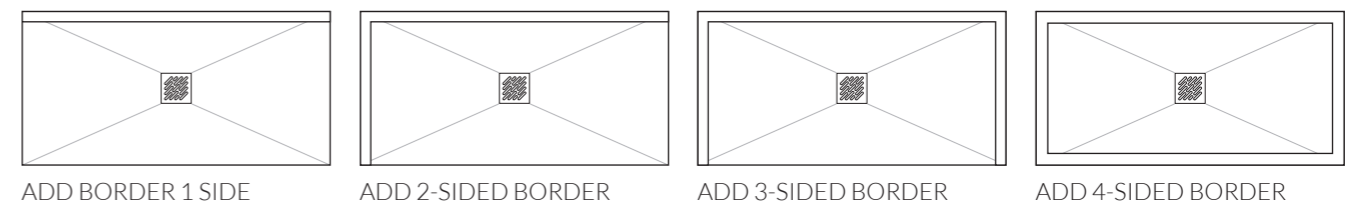
Standard waste

Custom cuts



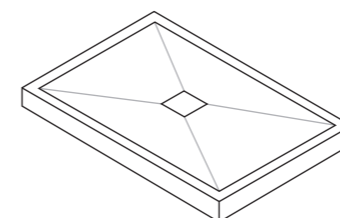
Edge

Edge thickness 4 cm



Plinths

Thickness custom



Anti-slip class

Regulations DIN 51097: A

Notes

Images are for illustrative purposes only and do not constitute a contractual obligation. When installing a walk-in shower enclosure with at least one open side, we recommend adding a rim to limit water splashes. Further information is available in the "Edge" section.

Reno

TEXTURE



PIETRA

STANDARD COLOURS



ANTRACITE
RAL 7043



URBAN
RAL 7006



TORTORA
RAL 1019



SABBIA
RAL 1013



GRIGIO
RAL 7047



BIANCO
RAL 9003

CUSTOM COLOURS



RAL / NCS

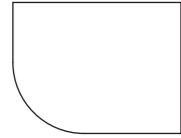


Reno

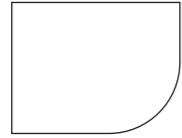
Surface with PIETRA texture.
Centered drain position.
Standard 9 cm diameter waste.

STANDARD MEASURES

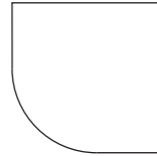
90 x 70 SX



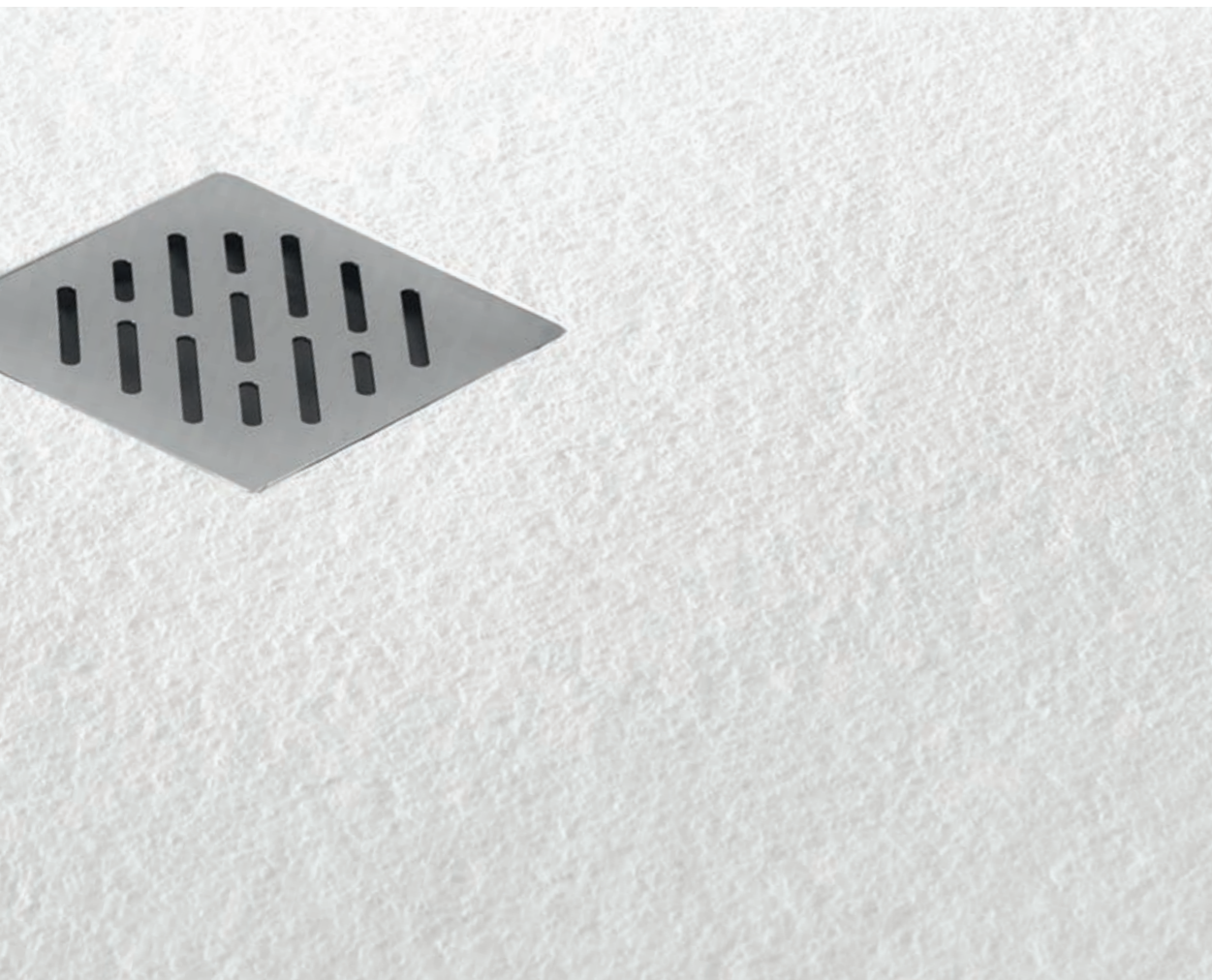
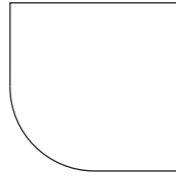
90 x 70 DX



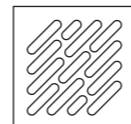
80 x 80



90 x 90

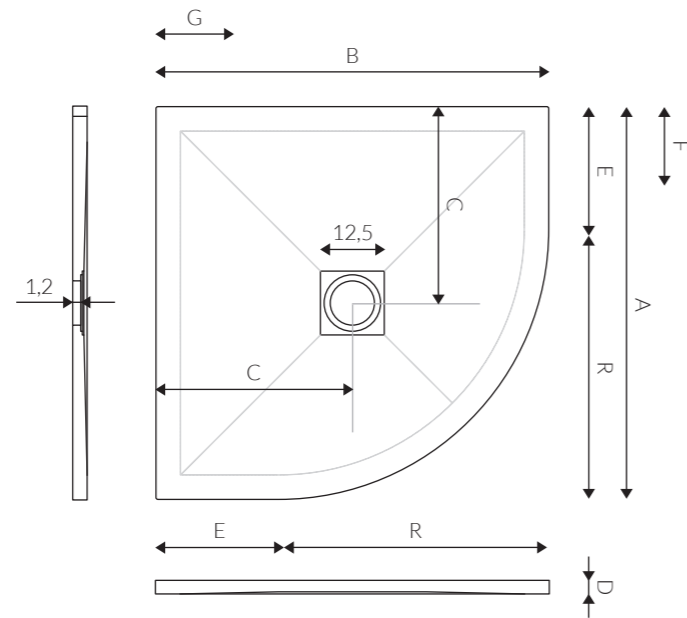


WASTE
COVER



Reno Technical Section

Dimensions (cm)

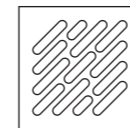


B 70						
A	C	D	E	F	G	R (DX - SX)
90	35/45	2,5	52/32	5	5	38

B 80						
A	C	D	E	F	G	R
80	40	2,5	25	5	5	55

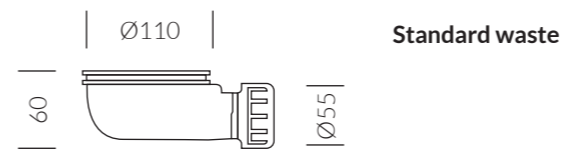
B 90						
A	C	D	E	F	G	R
90	45	2,7	35	5	5	55

Waste cover

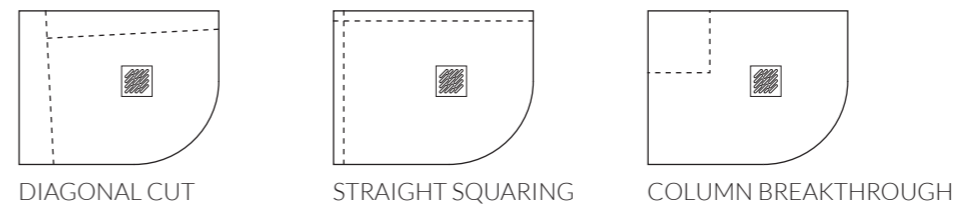


Measure	INOX	STANDARD	RAL / NCS
12,5 x 12,5 cm	✓	✓	✓

Waste (mm)



Custom cuts



Edge - CANNOT BE added

Plinths - CANNOT BE added

Anti-slip class

Regulations DIN 51097: A+B+C

Notes

Images are for illustrative purposes only and do not constitute a contractual obligation. When installing a walk-in shower enclosure with at least one open side, we recommend adding a rim to limit water splashes. Further information is available in the "Edge" section.

Edge



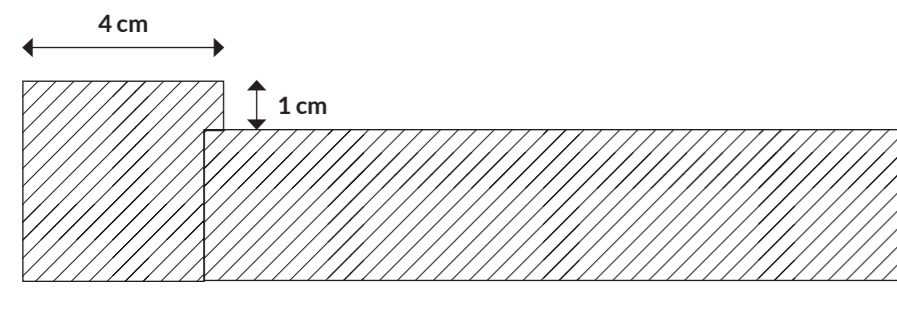
The additional rim is a perimeter profile integrated into the shower tray to provide enhanced safety during use by reducing the risk of water overflow. It ensures effective protection, particularly in areas not covered by the shower enclosure.

In the case of special cuts involving the sloped area of the tray, the rim is custom-fitted to the cut profile, maintaining a perfect seal and ensuring an effective barrier against water leakage.

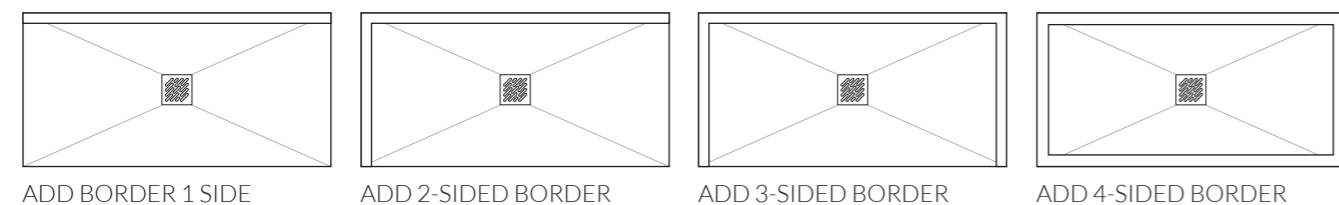
The standard dimensions for the rim are 1 cm in height and 4 cm in width; however, customized solutions can be created upon request to meet specific project requirements.

The rim can be applied to one or more sides of the tray (from 1 to 4) and is available in white, five standard colors, or any RAL scale shade, ensuring the highest level of aesthetic customization.

Shower trays section



Added edges



Notes

For improved water drainage, we recommend adding a rim to the sides not against a wall where no shower enclosure is to be installed.

Custom cuts



Riverstone shower trays are designed to be easily custom-cut, offering excellent flexibility during the design and installation phases. This allows professionals to adapt the product precisely to the available space, reducing the risk of errors and optimizing installation time.

It is possible to request the tray pre-cut during the production phase by selecting the desired cut type from those available in our catalog. Below is an overview of the manufacturing process.

How production cutting is performed:

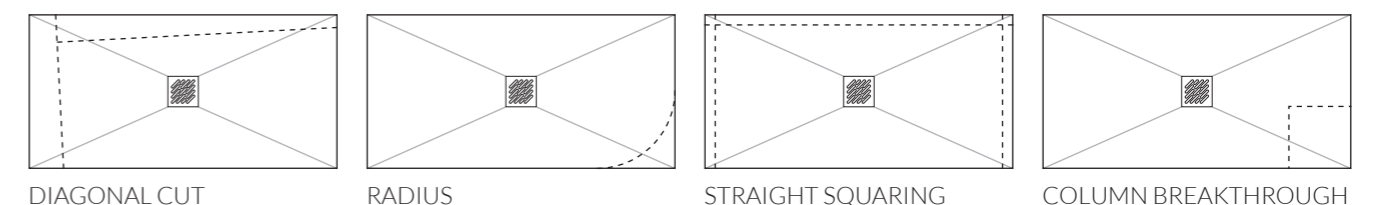
1. Diamond blade cutting

Cutting is carried out using a diamond blade, which ensures precision and a clean cut line through the use of CNC machinery.

2. Edge finishing

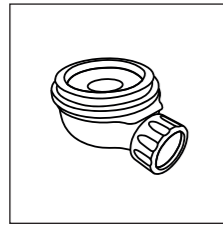
Once cut, the edge is carefully sanded to achieve a smooth surface, free of imperfections, and then re-finished with a new layer of gelcoat.

Custom cuts



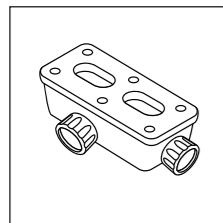
Accessories

Low-profile shower tray waste



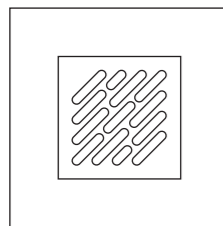
Suitable for:
ARNO
SENNA
TEVERE
RENO

Rectangular shower tray waste



Suitable for:
TAMIGI
DANUBIO

Waste cover



Stainless steel waste cover, available in:
GLOSSY FINISH (double-sided)
COLOR PAINTING (double-sided)



www.riverstone.it

POLISHED STAINLESS STEEL



STANDARD COLOURS



ANTRACITE
RAL 7043



URBAN
RAL 7006



TORTORA
RAL 1019



SABBIA
RAL 1013



GRIGIO
RAL 7047



BIANCO
RAL 9003

CUSTOM COLOURS



RAL / NCS



Wash— basins

62	Soft	single basin	98	Egeo
66	Soft	double basin	102	Devon
70	Cemento	single basin	106	Leg
74	Cemento	double basin	110	Ellipse
78	Cover	single basin	114	Circle
82	Cover	double basin	118	Luka
86	Thin	50	122	Up & Down
90	Thin	46	126	Shelves
94	Smash		129	Accessories

Soft single basin

TEXTURE



STANDARD COLOURS



CUSTOM COLOURS

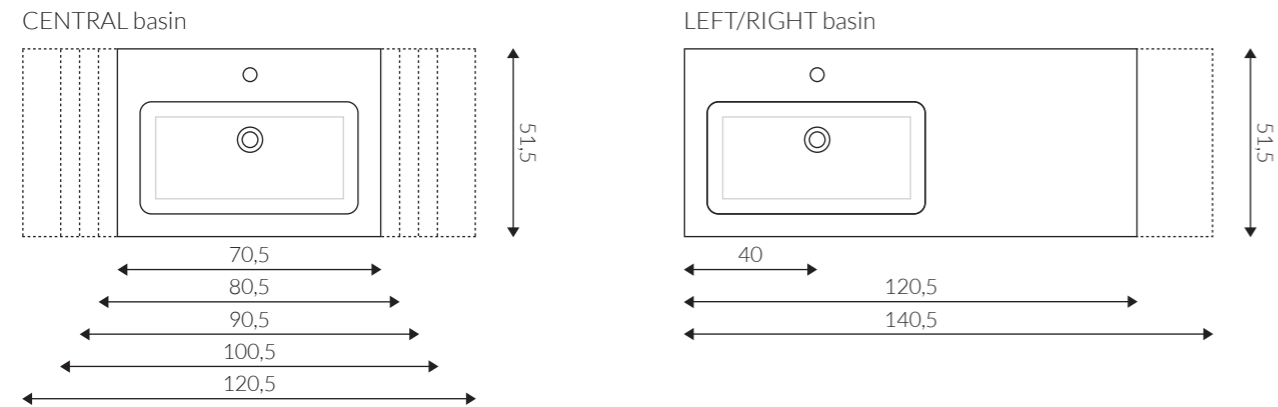


Soft single basin

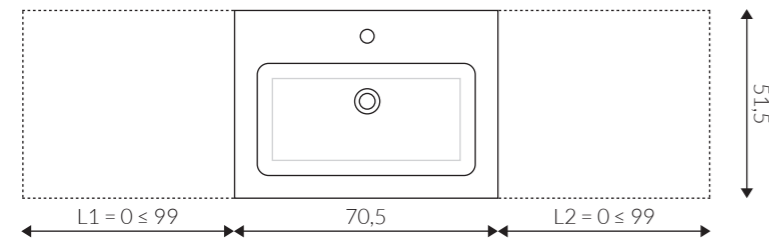
Console basin with integrated basin.
Smooth surface, available in BIANCO (matt/glossy) or COLORED (matt).
Available in STANDARD or CUSTOM sizes.

Dimensions (cm)

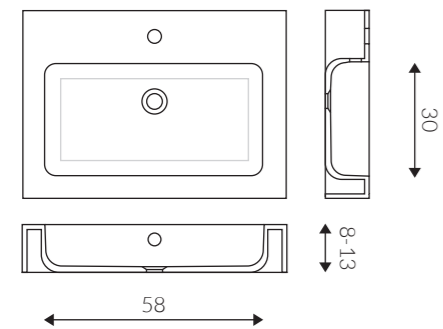
STANDARD WASHBASIN DIMENSIONS



CUSTOM WASHBASIN DIMENSIONS



BASIN DIMENSIONS



Accessories



Soft double basin

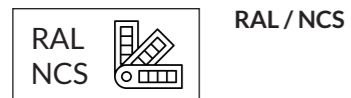
TEXTURE



STANDARD COLOURS



CUSTOM COLOURS

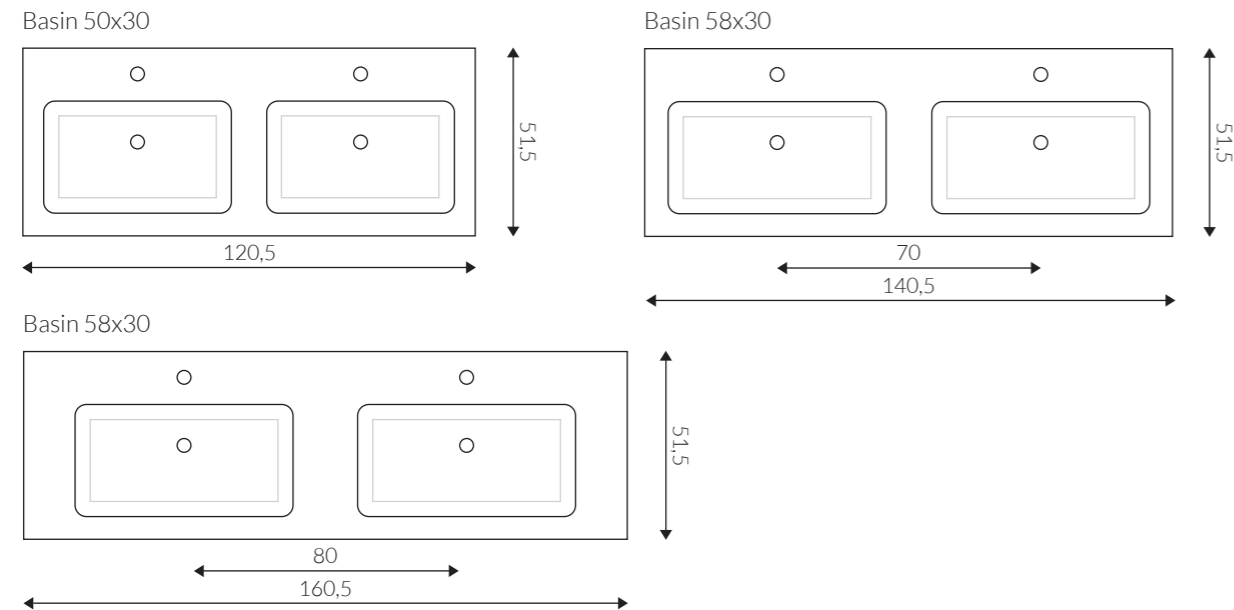


Soft double basin

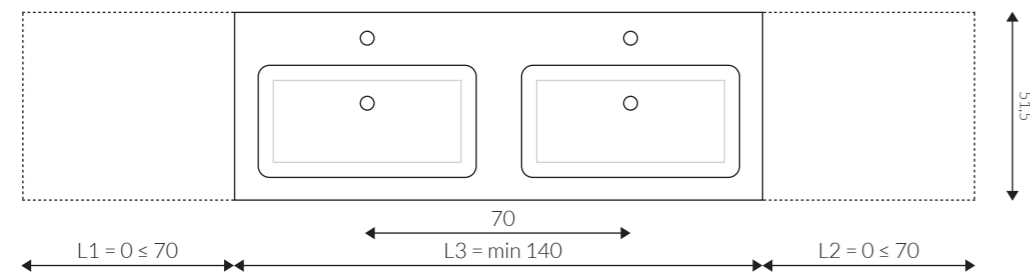
Console basin with integrated basins.
Smooth surface, available in BIANCO (matt/glossy) or COLORED (matt).
Available in STANDARD or CUSTOM sizes.

Dimensions (cm)

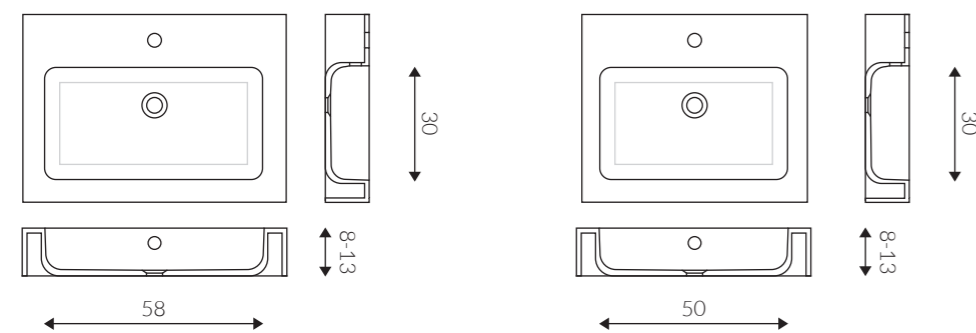
STANDARD WASHBASIN DIMENSIONS



CUSTOM WASHBASIN DIMENSIONS



BASIN DIMENSIONS



Accessories



Cemento single basin

TEXTURE



Inside of the basin:
CEMENTO



Outside of the basin:
SOFT

STANDARD COLOURS



ANTRACITE
RAL 7043



URBAN
RAL 7006



TORTORA
RAL 1019



SABBIA
RAL 1013



GRIGIO
RAL 7047



BIANCO
RAL 9003

CUSTOM COLOURS



RAL / NCS

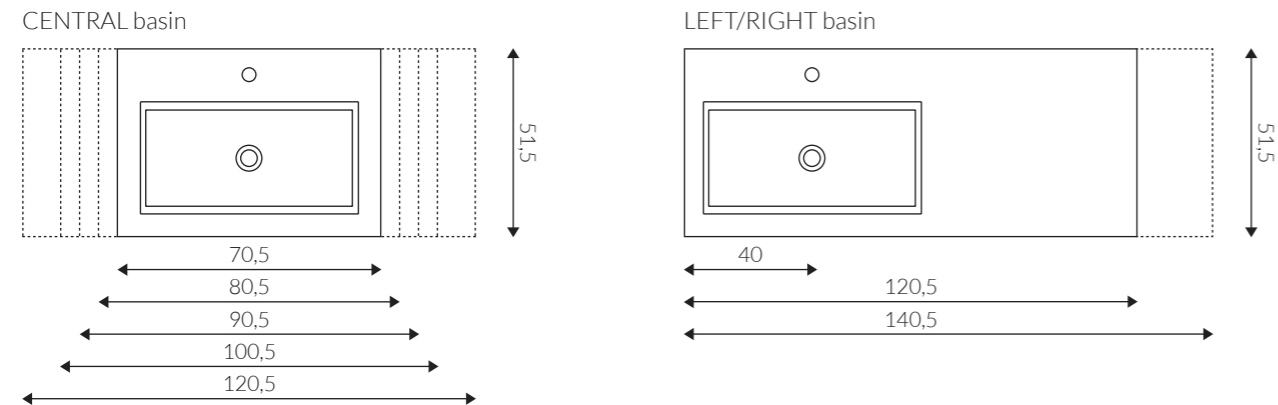


Cemento single basin

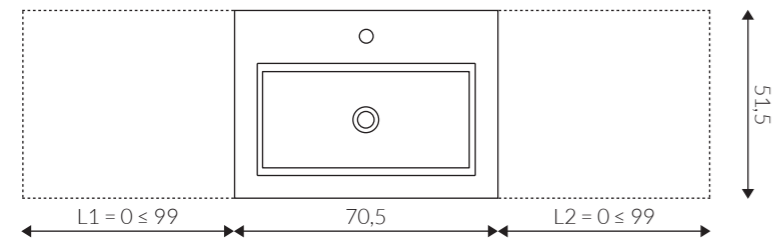
Console basin with integrated basin.
 CEMENTO texture surface, available in BIANCO (matt) or COLORED (matt).
 Available in STANDARD or CUSTOM sizes.

Dimensions (cm)

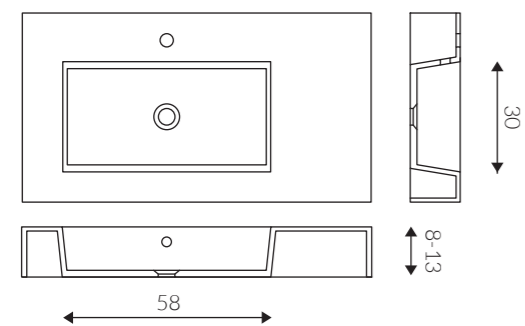
STANDARD WASHBASIN DIMENSIONS



CUSTOM WASHBASIN DIMENSIONS



BASIN DIMENSIONS



Accessories



Cemento double basin

TEXTURE



Inside of the basin:
CEMENTO



Outside of the basin:
SOFT

STANDARD COLOURS



ANTRACITE
RAL 7043



URBAN
RAL 7006



TORTORA
RAL 1019



SABBIA
RAL 1013



GRIGIO
RAL 7047



BIANCO
RAL 9003

CUSTOM COLOURS



RAL / NCS

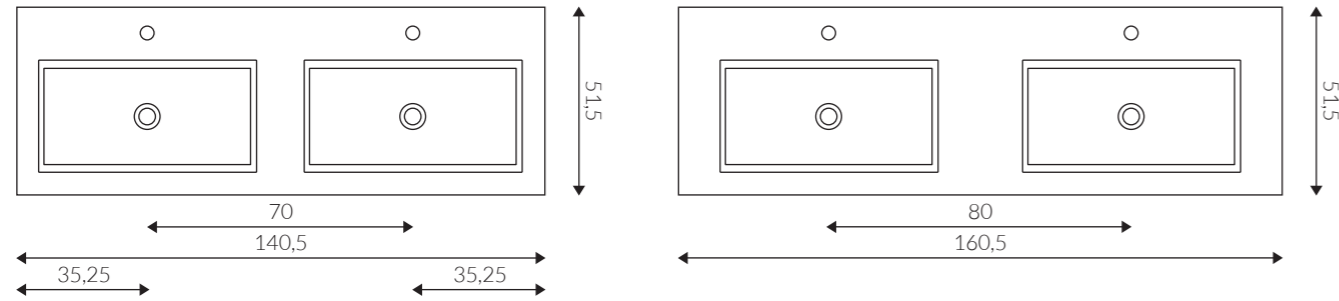


Cemento double basin

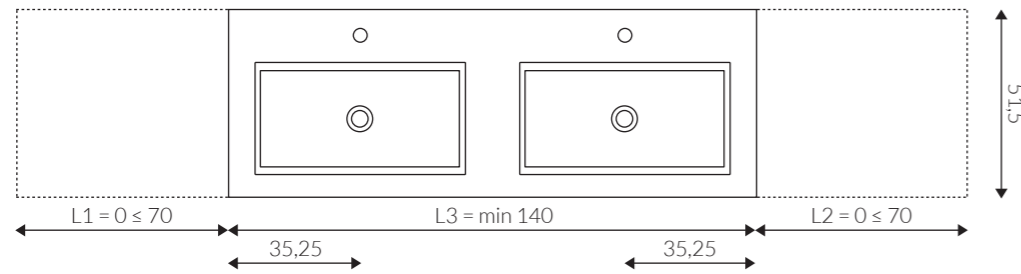
Console basin with integrated basins.
 CEMENTO texture surface, available in BIANCO (matt) or COLORED (matt).
 Available in STANDARD or CUSTOM sizes.

Dimensions (cm)

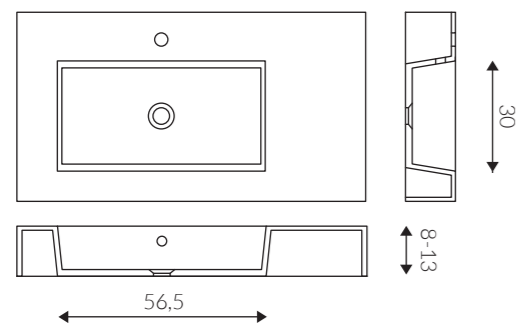
STANDARD WASHBASIN DIMENSIONS



CUSTOM WASHBASIN DIMENSIONS



BASIN DIMENSIONS



Accessories



Cover single basin

TEXTURE



STANDARD COLOURS



CUSTOM COLOURS

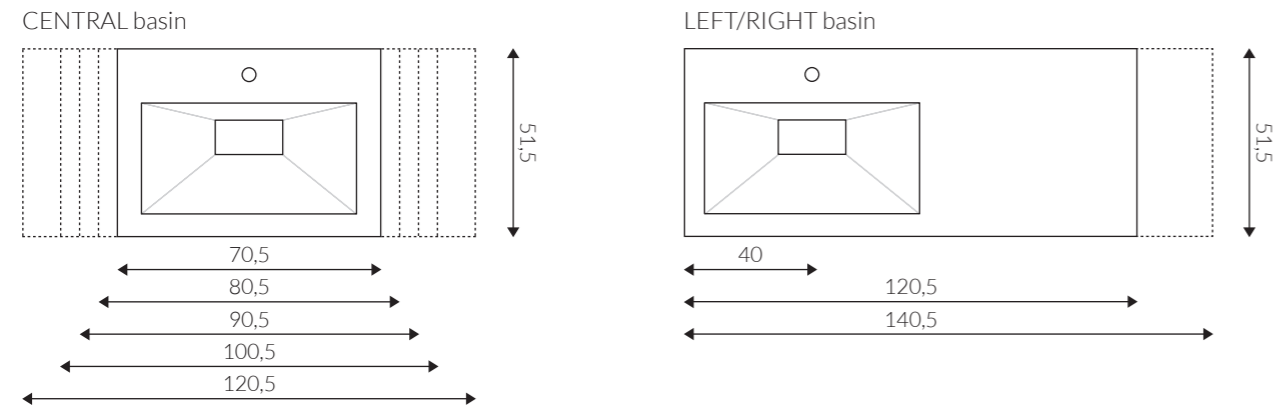


Cover single basin

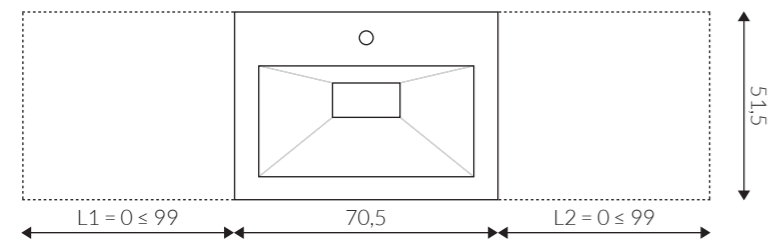
Console basin with integrated basin.
Smooth surface, available in BIANCO (matt/glossy) or COLORED (matt).
Available in STANDARD or CUSTOM sizes.

Dimensions (cm)

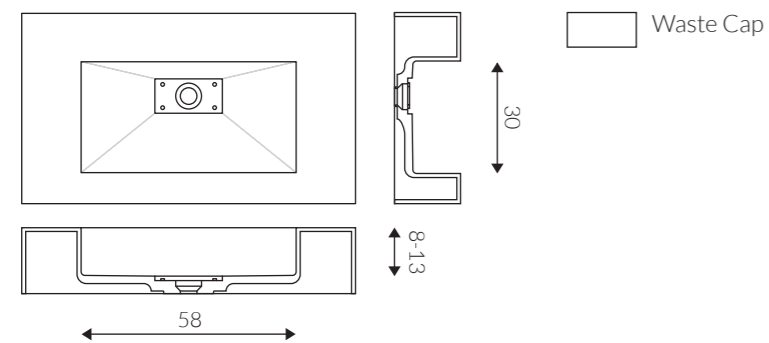
STANDARD WASHBASIN DIMENSIONS



CUSTOM WASHBASIN DIMENSIONS



BASIN DIMENSIONS



Accessories



Cover double basin

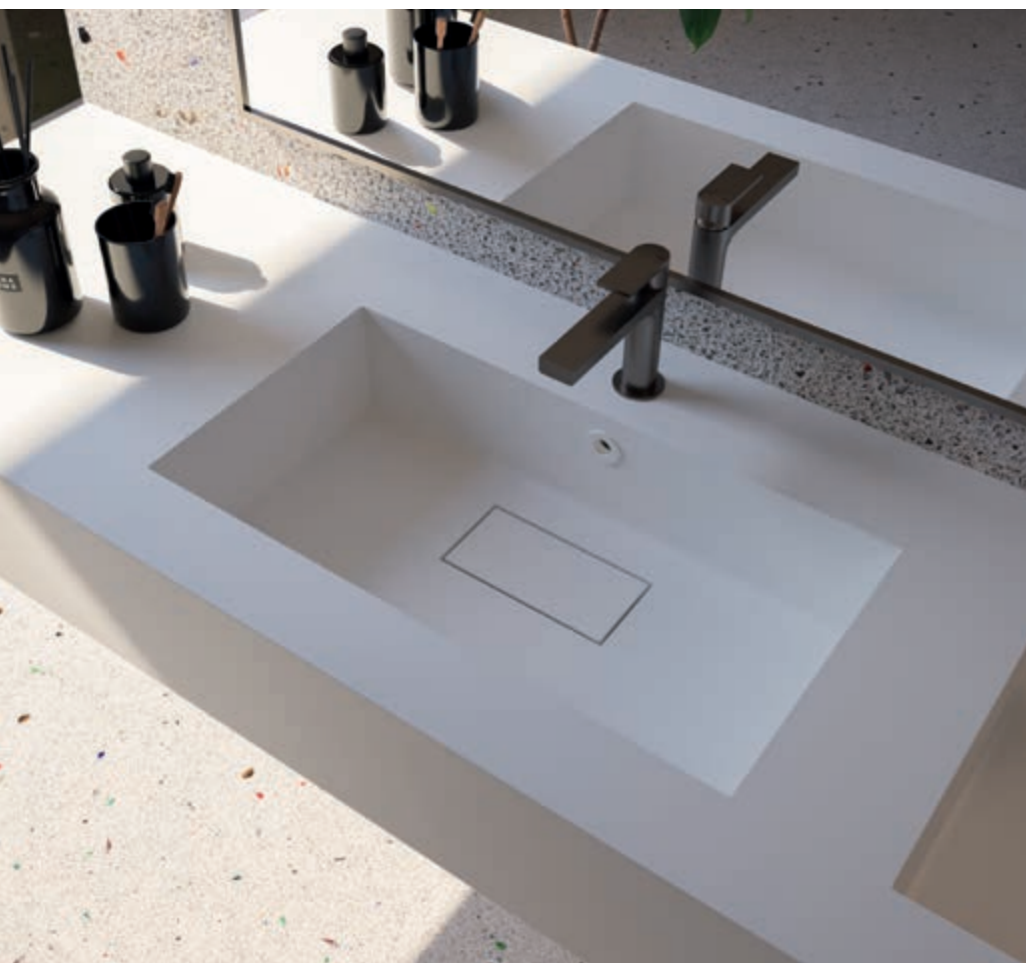
TEXTURE



STANDARD COLOURS



CUSTOM COLOURS

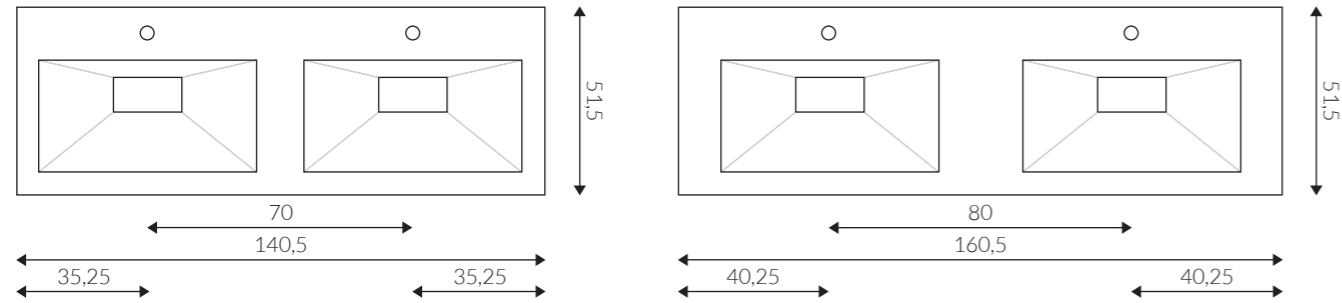


Cover double basin

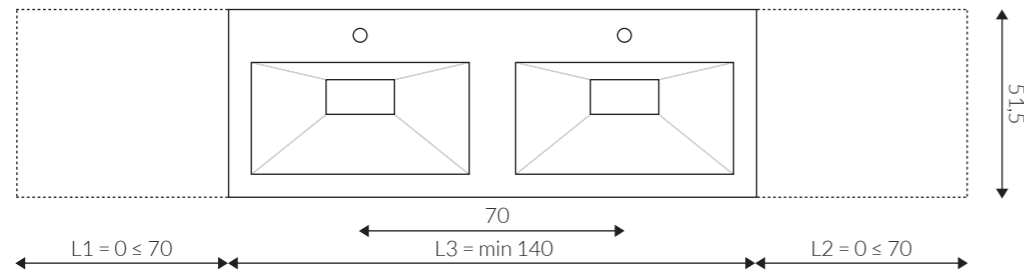
Console basin with integrated basins.
Smooth surface, available in BIANCO (matt/glossy) or COLORED (matt).
Available in STANDARD or CUSTOM sizes.

Dimensions (cm)

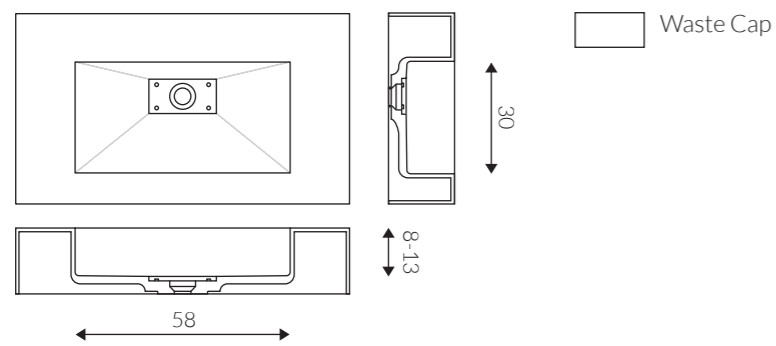
STANDARD WASHBASIN DIMENSIONS



CUSTOM WASHBASIN DIMENSIONS



BASIN DIMENSIONS



Accessories



Thin 50

TEXTURE



STANDARD COLOURS



CUSTOM COLOURS



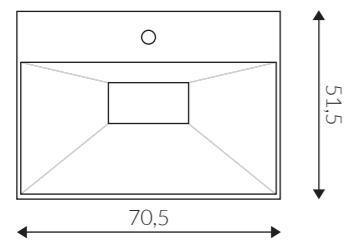
Thin 50

Console basin with integrated basin.
 Smooth surface, available in BIANCO (matt/glossy) or COLORED (matt).
 Available with single basin.
 Available in STANDARD sizes.

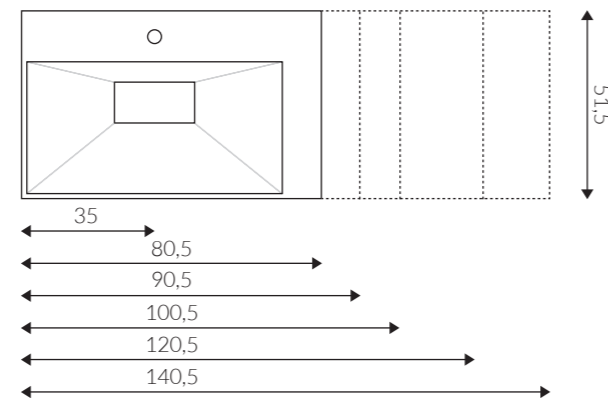
Dimensions (cm)

STANDARD WASHBASIN DIMENSIONS

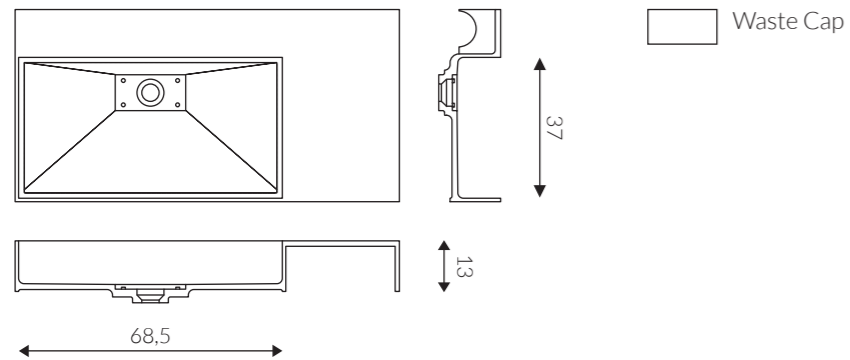
CENTRAL basin



LEFT/RIGHT basin



BASIN DIMENSIONS



Accessories



Thin 46

TEXTURE



STANDARD COLOURS



CUSTOM COLOURS

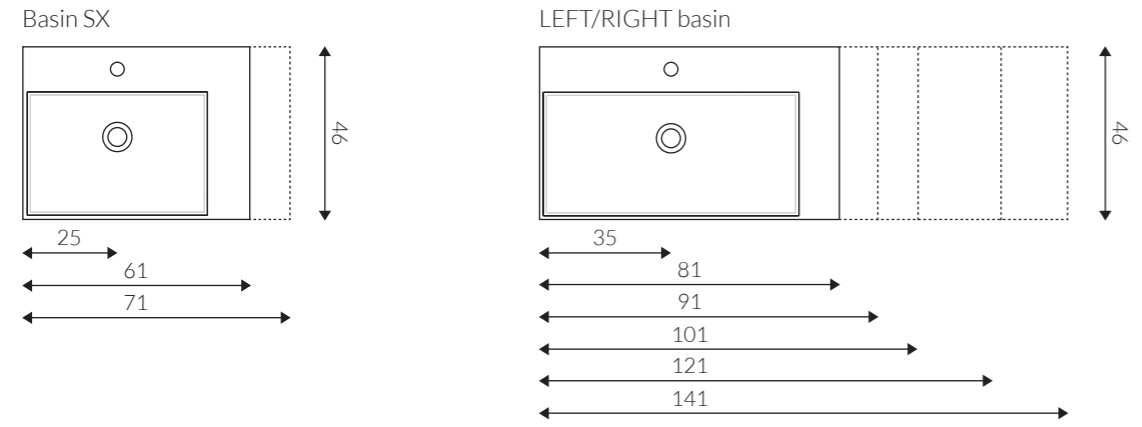


Thin 46

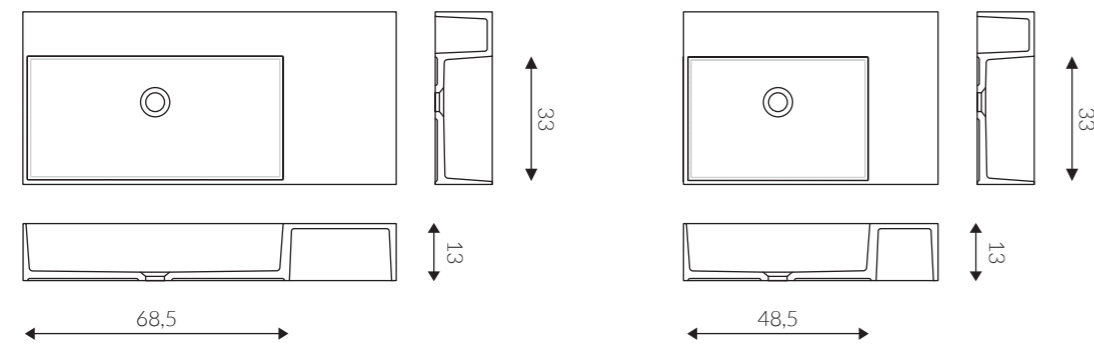
Console basin with integrated basin.
 Smooth surface, available in BIANCO (matt/glossy) or COLORED (matt).
 Available with single basin.
 Available in STANDARD sizes.

Dimensions (cm)

STANDARD WASHBASIN DIMENSIONS



BASIN DIMENSIONS



Accessories



Smash

TEXTURE



STANDARD COLOURS



CUSTOM COLOURS



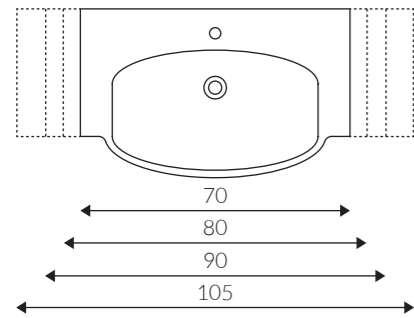
Smash

Console basin with integrated basin.
 Smooth surface, available in BIANCO (matt/glossy) or COLORED (matt).
 Available with single basin.
 Available in STANDARD sizes.

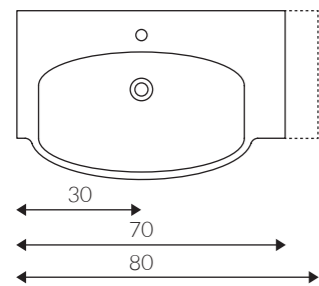
Dimensions (cm)

STANDARD WASHBASIN DIMENSIONS

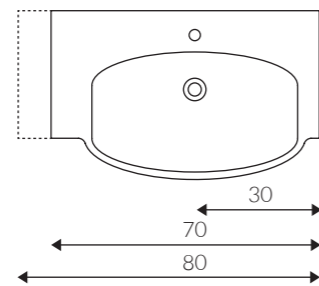
CENTRAL basin



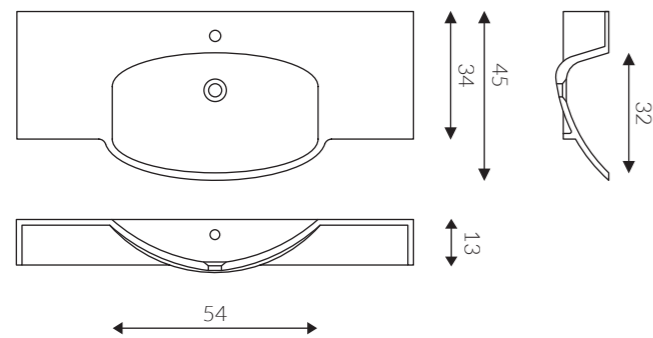
Basin SX



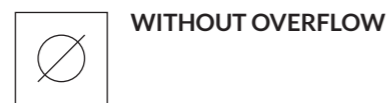
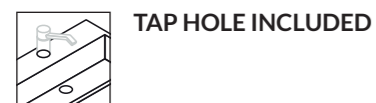
Basin DX



BASIN DIMENSIONS



Accessories



Egeo

TEXTURE



SOFT

STANDARD COLOURS



ANTRACITE
RAL 7043



URBAN
RAL 7006



TORTORA
RAL 1019



SABBIA
RAL 1013



GRIGIO
RAL 7047



BIANCO
RAL 9003

CUSTOM COLOURS



RAL / NCS



Egeo

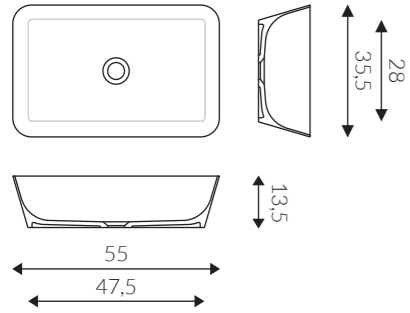
Countertop basin.

Smooth surface, available in BIANCO (matt/glossy) or COLORED (matt).

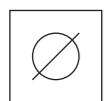
Can be installed on our floating shelves with dedicated tap and drain holes.

Dimensions (cm)

BASIN DIMENSIONS



Accessories



WITHOUT OVERFLOW



Devon

TEXTURE



SOFT

STANDARD COLOURS



ANTRACITE
RAL 7043



URBAN
RAL 7006



TORTORA
RAL 1019



SABBIA
RAL 1013



GRIGIO
RAL 7047



BIANCO
RAL 9003

CUSTOM COLOURS



RAL / NCS

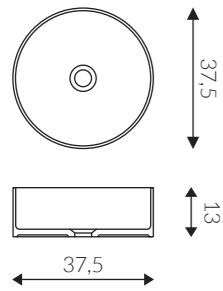


Devon

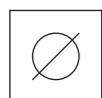
Countertop basin.
Smooth surface, available in BIANCO (matt/glossy) or COLORED (matt).
Can be installed on our custom floating shelves with dedicated tap and drain holes.

Dimensions (cm)

BASIN DIMENSIONS



Accessories



WITHOUT OVERFLOW



Leg

TEXTURE



STANDARD COLOURS



CUSTOM COLOURS

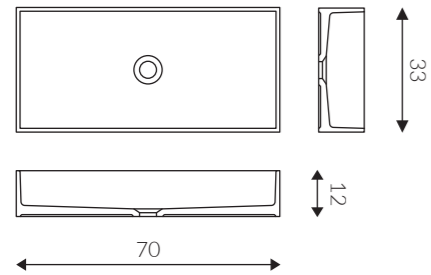


Leg

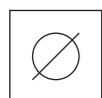
Countertop basin.
Smooth surface, available in BIANCO (matt/glossy) or COLORED (matt).
Can be installed on our custom floating shelves with dedicated tap and drain holes.

Dimensions (cm)

BASIN DIMENSIONS



Accessories



WITHOUT OVERFLOW



Ellipse

TEXTURE



SOFT

STANDARD COLOURS



ANTRACITE
RAL 7043



URBAN
RAL 7006



TORTORA
RAL 1019



SABBIA
RAL 1013



GRIGIO
RAL 7047



BIANCO
RAL 9003

CUSTOM COLOURS



RAL / NCS



Ellipse

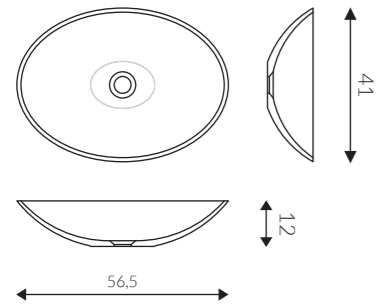
Countertop basin.

Smooth surface, available in BIANCO (matt/glossy) or COLORED (matt).

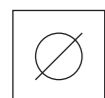
Can be installed on our custom floating shelves with dedicated tap and drain holes.

Dimensions (cm)

BASIN DIMENSIONS



Accessories



WITHOUT OVERFLOW



Circle

TEXTURE



STANDARD COLOURS



CUSTOM COLOURS

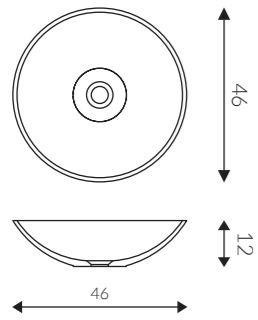


Circle

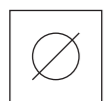
Countertop basin.
Smooth surface, available in BIANCO (matt/glossy) or COLORED (matt).
Can be installed on our custom floating shelves with dedicated tap and drain holes.

Dimensions (cm)

BASIN DIMENSIONS



Accessories



WITHOUT OVERFLOW



Luka

TEXTURE



STANDARD COLOURS



CUSTOM COLOURS

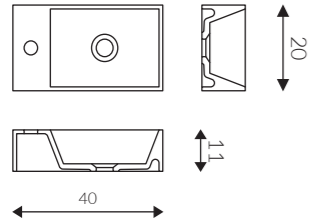


Luka

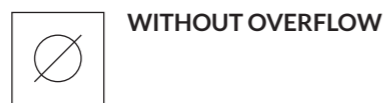
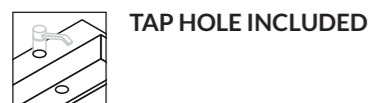
Countertop basin.
Smooth surface, available in BIANCO (matt/glossy) or COLORED (matt).
Can be installed on our custom floating shelves with dedicated tap and drain holes.

Dimensions (cm)

BASIN DIMENSIONS



Accessories



Up&Down

TEXTURE



STANDARD COLOURS



CUSTOM COLOURS



Up&Down

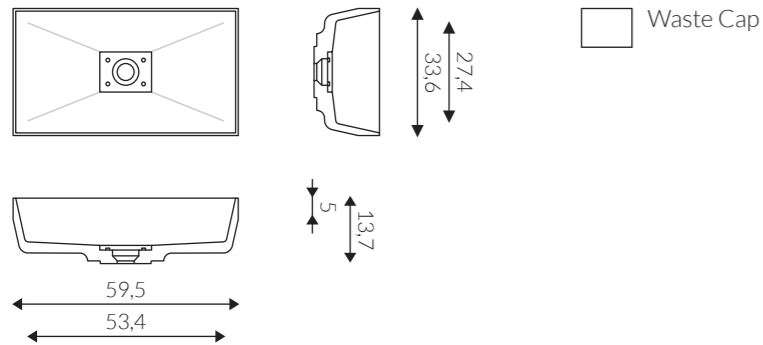
Semi-recessed basin.

Smooth surface, available in BIANCO (matt/glossy) or COLORED (matt).

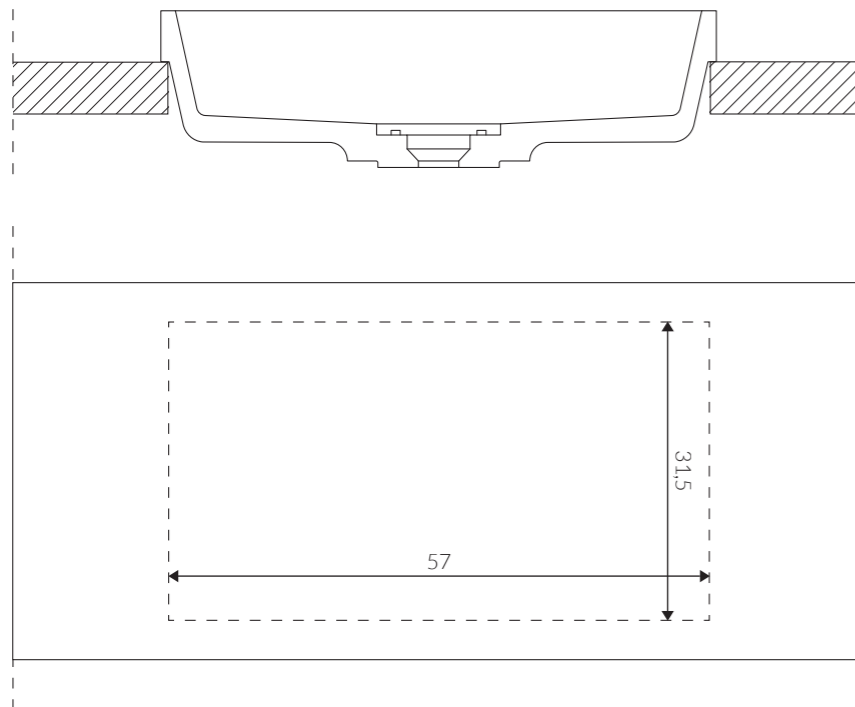
Can be installed on our custom floating shelves with dedicated tap and drain holes.

Dimensions (cm)

BASIN DIMENSIONS



DETAIL OF COUNTERTOP INSTALLATION



Accessories



Box shelf

TEXTURE



SOFT



CEMENTO

STANDARD COLOURS



ANTRACITE
RAL 7043



URBAN
RAL 7006



TORTORA
RAL 1019



SABBIA
RAL 1013



GRIGIO
RAL 7047



BIANCO
RAL 9003

CUSTOM COLOURS



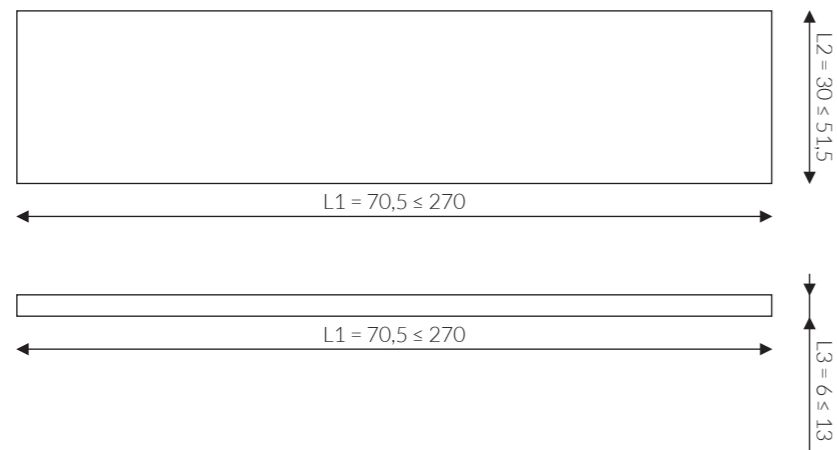
RAL / NCS



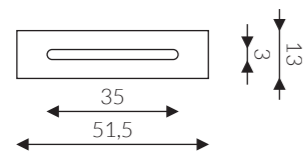
Shelves

Floating shelves to be used with countertop basins or as standalone units.
 Fully CUSTOM-MADE.
 CEMENTO texture surface, available in BIANCO (matt) or COLORED (matt).
 Smooth surface, available in BIANCO (matt/glossy) or COLORED (matt).
 Customizable with towel rail slots, basin cut-outs, and holes for drains and taps.

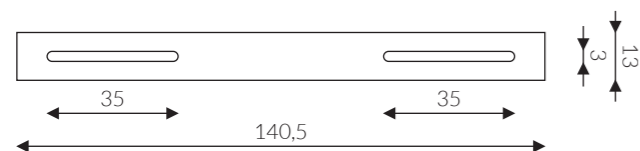
Dimensions (cm)



Towel rail slot on RH or LH side (3 x 35 cm)



Towel rail slot frontal (3 x 35 cm)

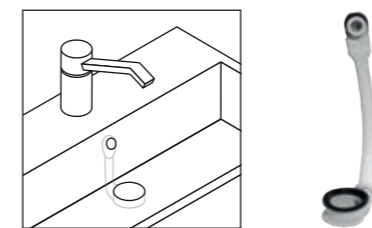


Accessories

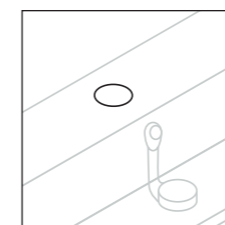
Pair of basin brackets



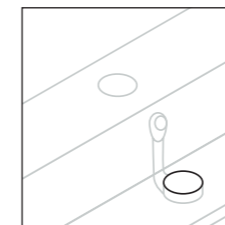
Basin overflow waste kit



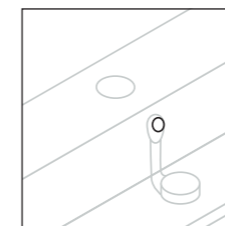
Basin tap hole types



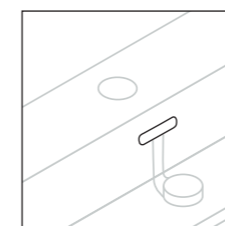
TAP HOLE



ROUND HOLE
 $\varnothing 12$ MM FOR WASTE

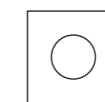


ROUND BASIN CUT-OUT

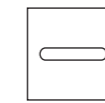


RECTANGULAR BASIN CUT-OUT

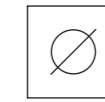
Basin cut-out types



ONLY ROUND HOLE



SLOT HOLE ONLY



WITHOUT HOLE

FINISHES AND COLOURS FOR CUT-OUT COVER PLATE



INOX GLOSSY
 AISI 316



BIANCO
 RAL 9003









Wall
covering panels

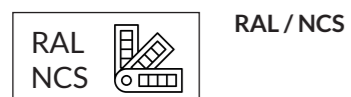
Wall covering panels

Surface finishes: SOFT smooth, CEMENTO, DOLOMITE, ARDESIA, PIETRA.
Available in STANDARD or CUSTOM sizes.

STANDARD COLOURS

	ANTRACITE RAL 7043		URBAN RAL 7006
	TORTORA RAL 1019		SABBIA RAL 1013
	GRIGIO RAL 7047		BIANCO RAL 9003

CUSTOM COLOURS

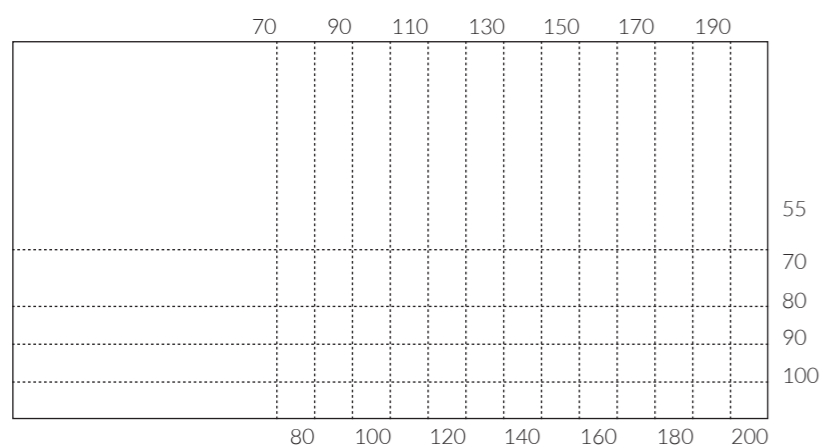


RAL / NCS

TEXTURE

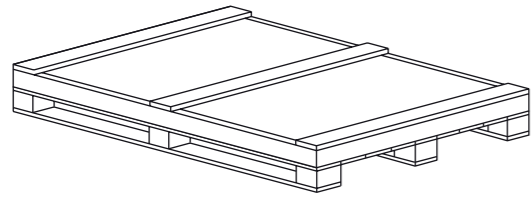
	SOFT		ARDESIA
	CEMENTO		PIETRA
	DOLOMITE		

DIMENSIONS (thickness 1,5 cm)

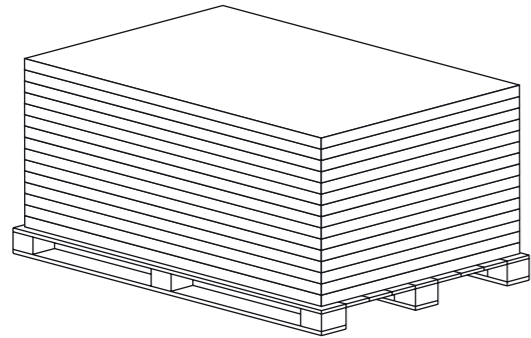


Technical Section

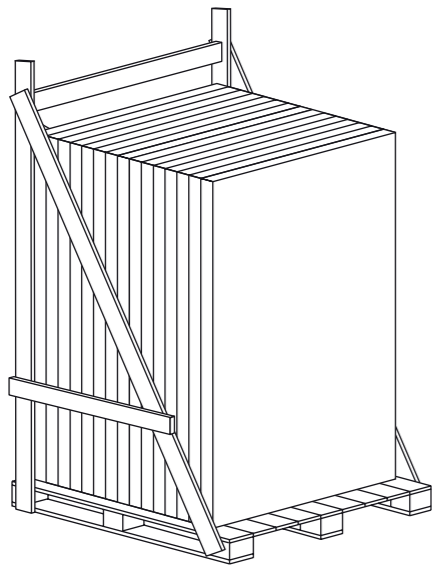
Packaging



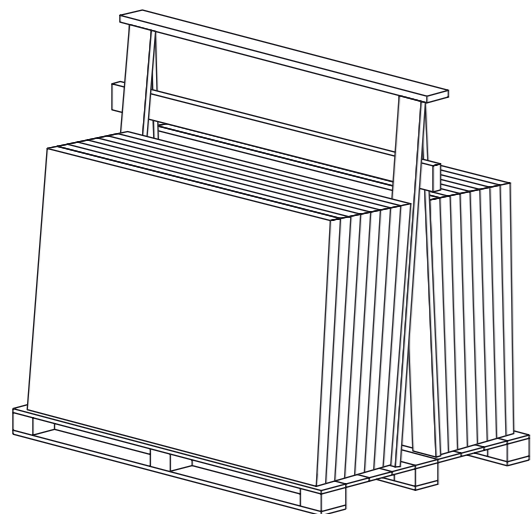
A Individual packaging
Cardboard box packed inside a wooden crate



B Horizontal packaging (15 pieces)
Individual packaging in cardboard box on pallet



C Vertical packaging (15 pieces) - on short side
Individual packaging in cardboard box on pallet



D Vertical packaging (15 pieces) - on long side
Individual packaging in cardboard box on pallet

Technical Informations

Composition

Shower trays are composed of thermosetting resin and natural mineral fillers. The trays are coated with a high-hardness Gelcoat film, providing superior resistance to stains. The surface features a textured finish, making it highly slip-resistant.

Measurement

When measuring for the shower tray, please allow for a material tolerance of approximately +/- 1%.

Pre-installation Checks

Before proceeding with installation, verify the integrity of the product. Prior to laying the tray, it is essential to check its flatness. Due to the elasticity of the material, a curvature of up to 3 mm per linear meter is within tolerance. If the curvature exceeds this limit, place the shower tray on a flat surface, adding weights on top and shims underneath to counteract the bend, and leave it in this position for approximately 24 hours.

Installation Products

Shower trays must be installed on a leveled screed using specific elastic adhesives. We recommend waterproofing the area beneath the tray and up to a height of 10 cm under the wall cladding to prevent water seepage caused by the natural shrinkage of silicone over time. Apply silicone along all four sides of the shower tray.

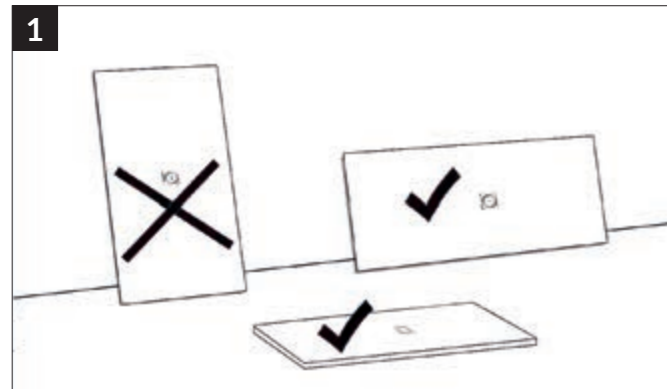
Cutting Instructions

Shower trays can be cut on-site using diamond blades. It is recommended to cut the sides that will be positioned against the wall (where the cladding will be applied) to hide any potential cutting imperfections.

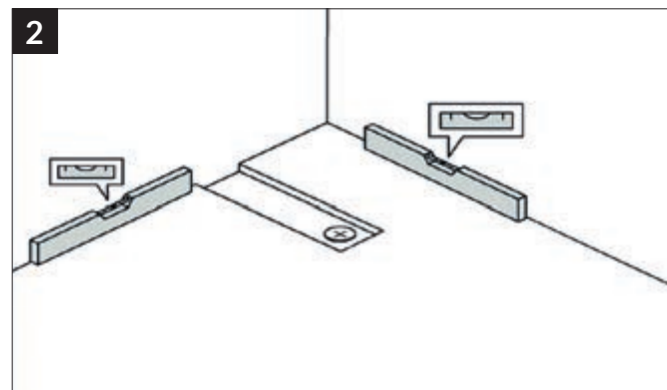
Cleaning and Maintenance

For daily cleaning, simply use a non-abrasive sponge dampened with water and a neutral detergent (ensure "neutral" is explicitly stated on the bottle). Do not use acidic cleaners, strong bases, or solvents, and avoid using abrasive sponges on the shower tray surface.

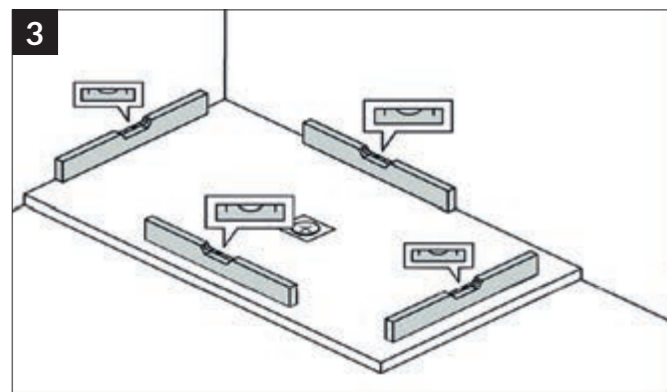
Installation Instructions



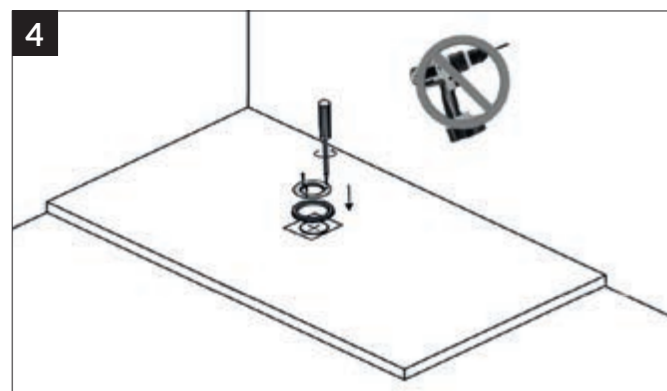
1 When storing shower trays, do not lean them upright on the short side. Due to the material's elasticity, the trays may warp or bend over time.



2 Shower trays must be installed on a leveled, smooth, and waterproofed screed; do not install on top of pre-existing tiles.

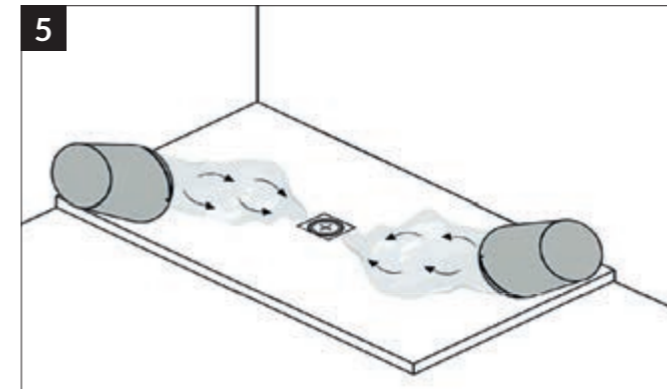


3 Place the tray in position to test the fit without gluing it, and check that it is level along all four sides.

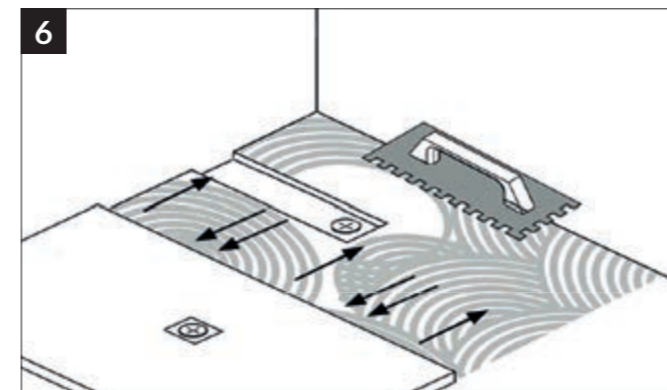


4 Install the waste outlet ring using a screwdriver (do not use a power drill).

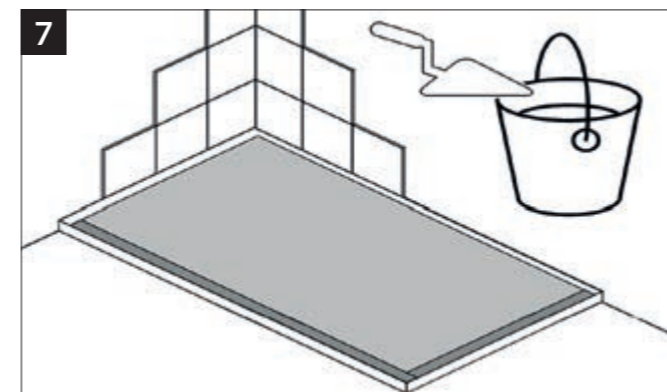
Installation Instructions



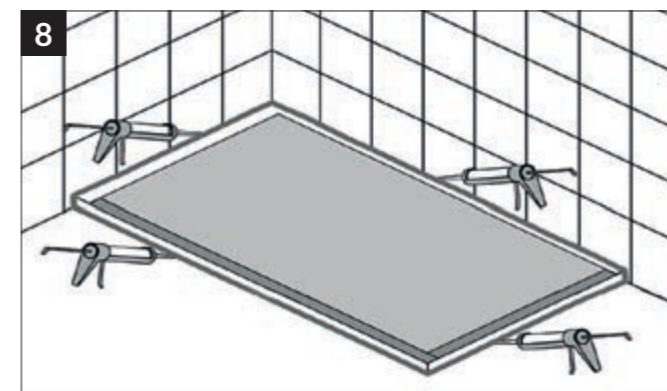
5 Pour water across the entire surface to ensure it drains correctly towards the waste outlet.



6 Once all the previous steps have been completed, proceed to glue the shower tray using elastic tile adhesives.



7 Before installing the wall cladding, protect the shower tray with cardboard or plastic sheeting to prevent adhesive spills. Leave a gap of at least 3 mm between the shower tray and the first row of tiles.



8 Seal the joints along all four sides of the shower tray with silicone.

Notes

The warranty shall be voided if the above instructions are not followed correctly. In cases where a warranty claim is approved, it covers the reimbursement of the shower tray's value only.

Certifications

UNI-EN test reports

TITLE STANDARD	NUMBER STANDARD	REQUIREMENT	EVALUATION
Shower trays for domestic use <i>General information</i>	UNI EN 14527:2010	The manufacturer must provide instructions regarding installation and maintenance	The customer provides installation, use and maintenance instructions for the shower tray
Shower trays for domestic use <i>Cleanability: surface appearance</i>	UNI EN 14527:2010	The surfaces of the shower tray must be visibly smooth, non-absorbent and free of inaccessible corners that would compromise cleanability	The shower tray has no defects or deformations that compromise its cleanability
Shower trays for domestic use <i>Cleanability: Water drainage</i>	UNI EN 14527:2010 Foro di scarico conforme secondo UNI EN 251:2012	All water must be drained from the shower tray unless it is held by surface tension	Water is leaking from the drain. The customer supplied the drain and shower tray fittings
Shower trays for domestic use <i>Product requirements: base stability</i>	UNI EN 14527:2010	The shower tray must not have permanent deformations or other defects that would hinder the emptying of water	The shower tray does not have permanent deformations or other defects that would hinder the emptying of water
Shower trays for domestic use <i>Durability: Resistance to temperature variations</i>	UNI EN 14527:2010	Shower trays must not show signs of deformation or other defects such as cracks that compromise their cleanability	The shower tray has no defects that compromise its cleanability
Shower trays for domestic use <i>Marking, labelling and packaging</i>	UNI EN 14527:2010	The shower tray must be labelled with the reference standard and the shower tray class	Compliant
Shower trays for domestic use <i>Durability: Resistance to chemicals and stains</i>	UNI EN 14527:2010	Shower trays must not show permanent surface deterioration such as stains or deterioration that cannot be removed with water or the specified abrasive agent	The shower trays do not show permanent surface deterioration

Performance table

Resistance to commonly used chemicals

CATEGORY	SUBSTANCE	EXPOSURE TIME	WEAR LEVEL
ACIDS	WINE VINEGAR	10 h	A
ACIDS	ANTI-LIMESCALE	10 h	A
ALKALIS	GENERIC DETERGENT	10 h	A
ALKALIS	DEGREASERS	10 h	A
ALKALIS	AMMONIA	10 h	A
ALKALIS	WINDOW WASHER	10 h	A
ALKALIS	PURE ACETONE	10 h	A
ALKALIS	ALCOHOL	10 h	A
BLEACHING AGENTS	BLEACH	2 h	A
BLEACHING AGENTS	HYDROGEN PEROXIDE	10 h	A
STAINING AGENTS	IODINE	1 h	A
STAINING AGENTS	METHYLENE BLUE	1 h	A
STAINING AGENTS	HAIR DYE (MEDIUM COLOR)	1 h	A
STAINING AGENTS	HAIR DYE (DARK COLOR)	1 h	A
STAINING AGENTS	CONSUMER VEGETABLE OILS	10 h	A
STAINING AGENTS	MERCUROCROME	1 h	A
STAINING AGENTS	ORANGE JUICE	10 h	A
STAINING AGENTS	COFFEE	10 h	A
STAINING AGENTS	RED WINE	10 h	A
STAINING AGENTS	LIPSTICK	10 h	A
STAINING AGENTS	INK	10 h	A
STAINING AGENTS	PERMANENT MARKER	10 h	A
STAINING AGENTS	PEN	10 h	A
STAINING AGENTS	PENCIL	10 h	A

The classification system is based on the following code:

- A:** No significant visible changes
- B:** Slight visible color changes
- C:** Moderate visible color changes
- D:** Significant visible color changes

Finishes

PIETRA



DOLOMITE



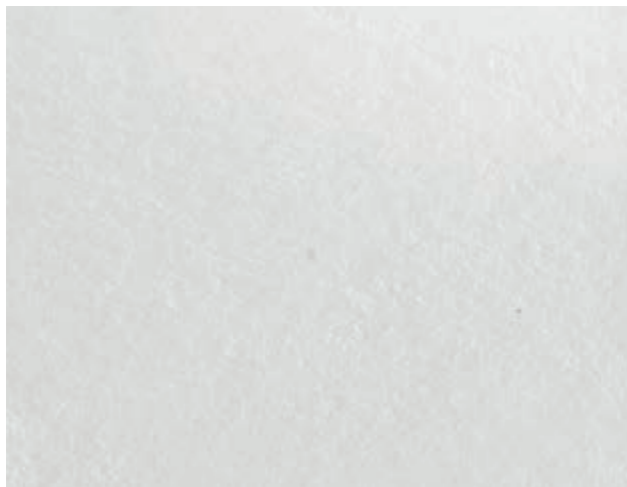
CEMENTO



SOFT



ARDESIA



www.riverstone.it



Poliflex srl

Via del Commercio Nord, 69

56034 Casciana Terme (PI)

TEL +39 0587 646404

www.riverstone.it

